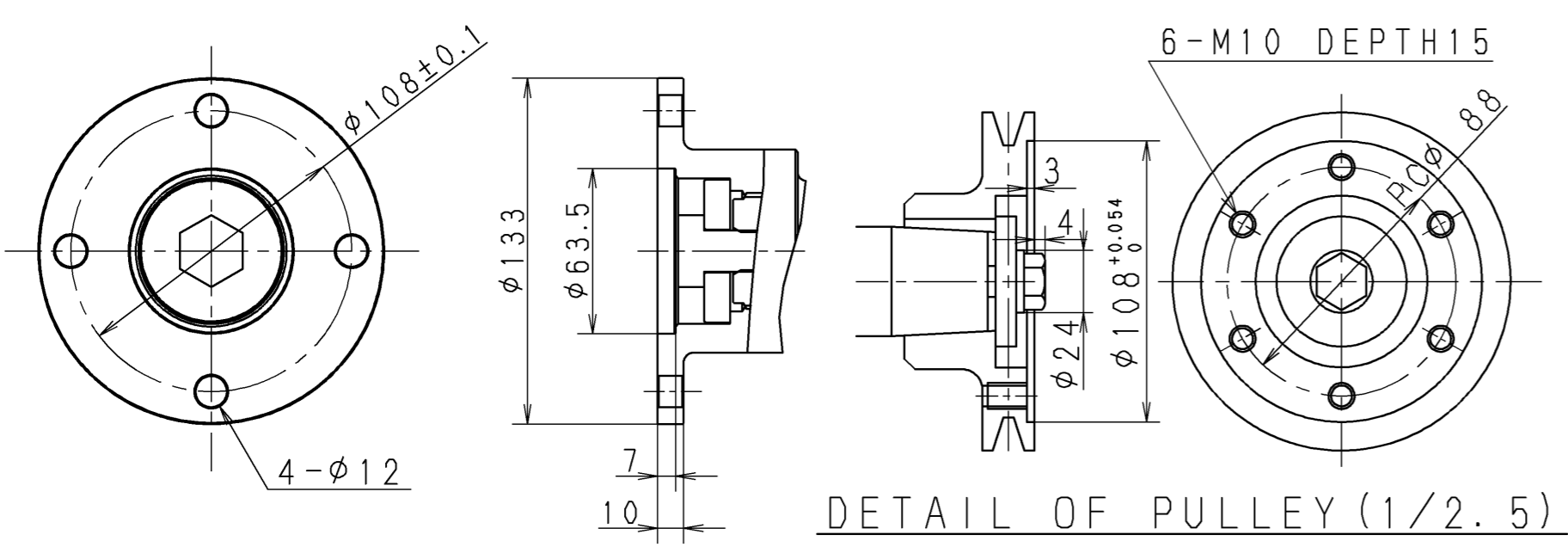
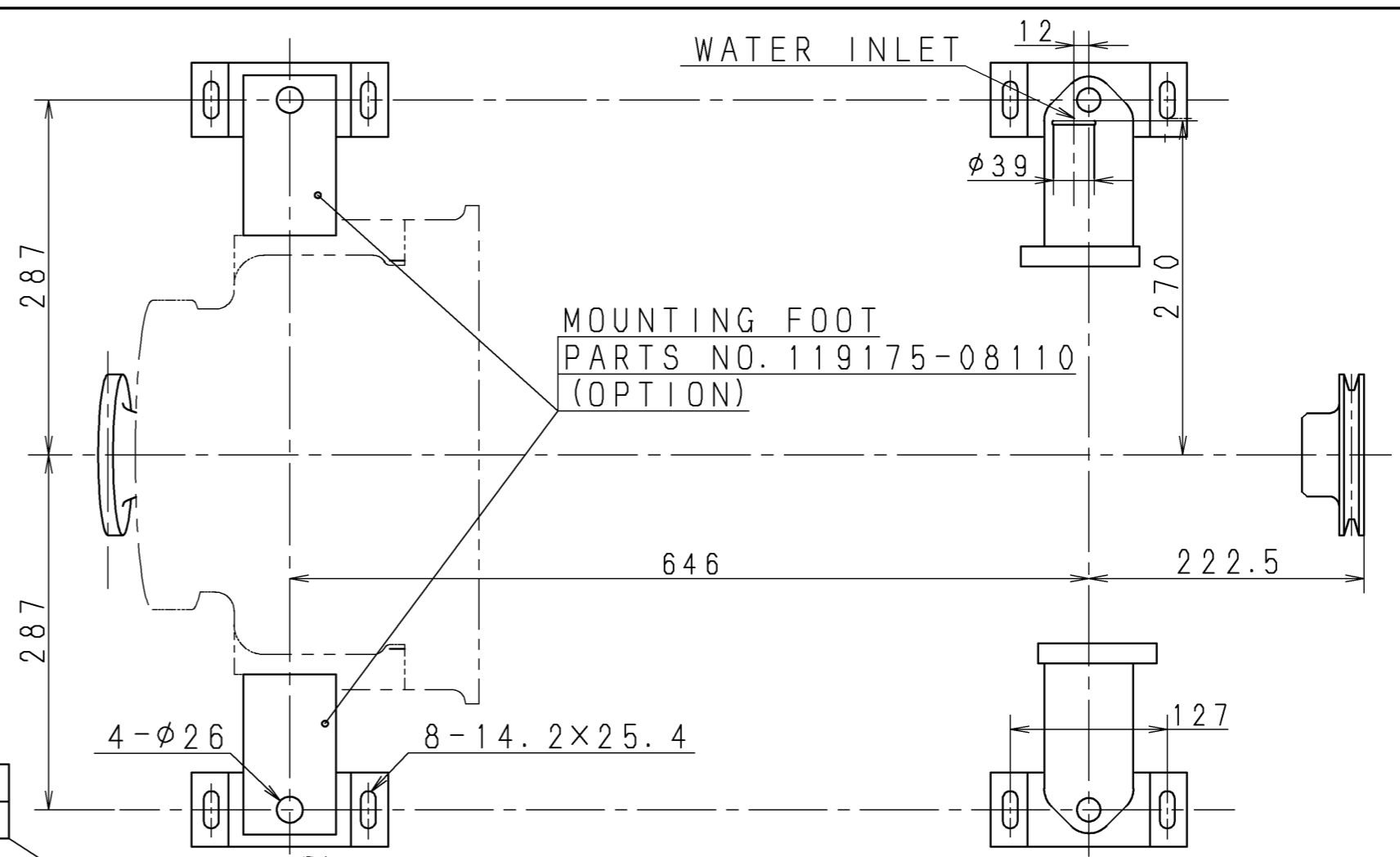


面来歴
CAREER



DETAIL OF COUPLING (1/2.5)

DETAIL OF PULLEY (1/2.5)



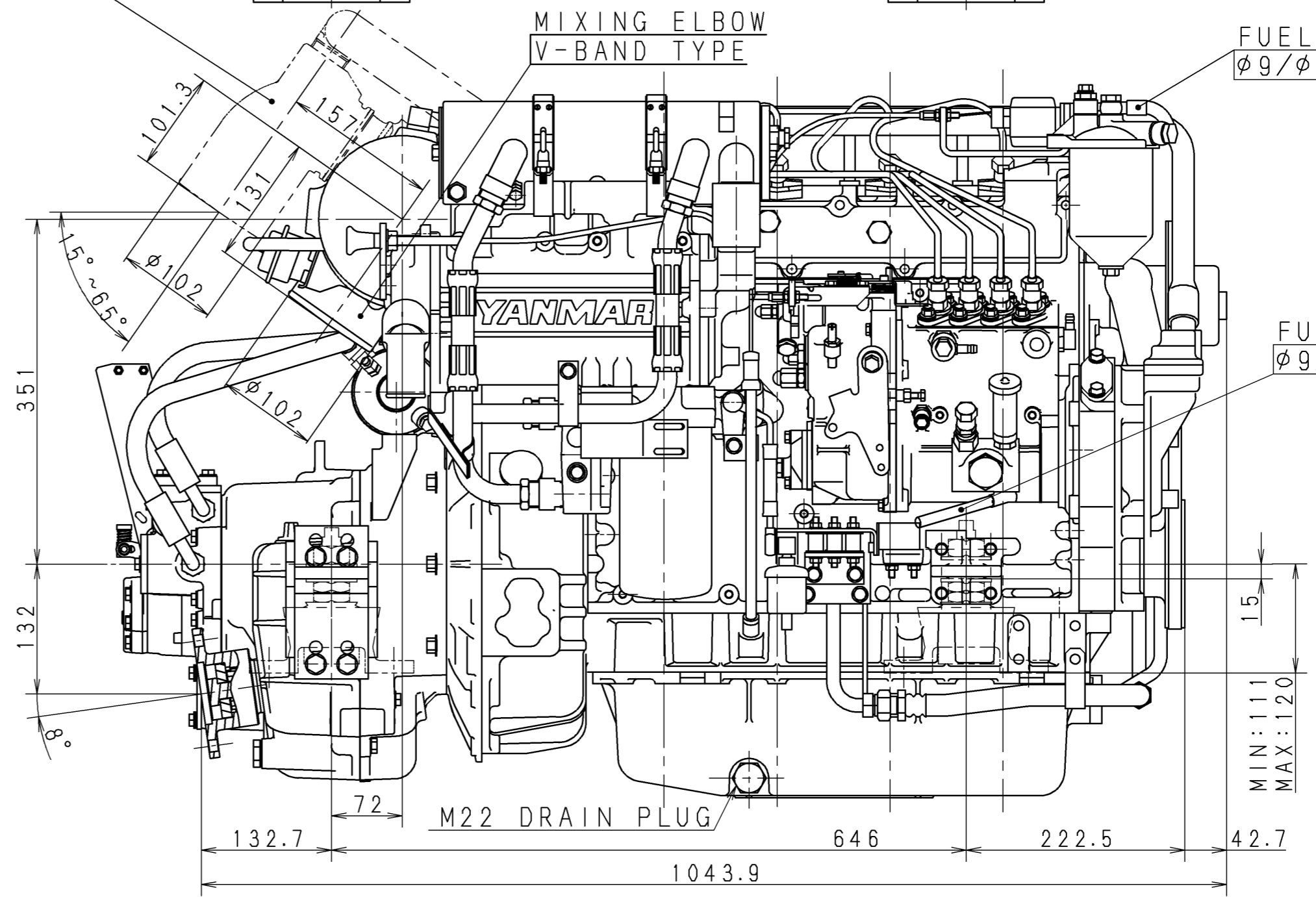
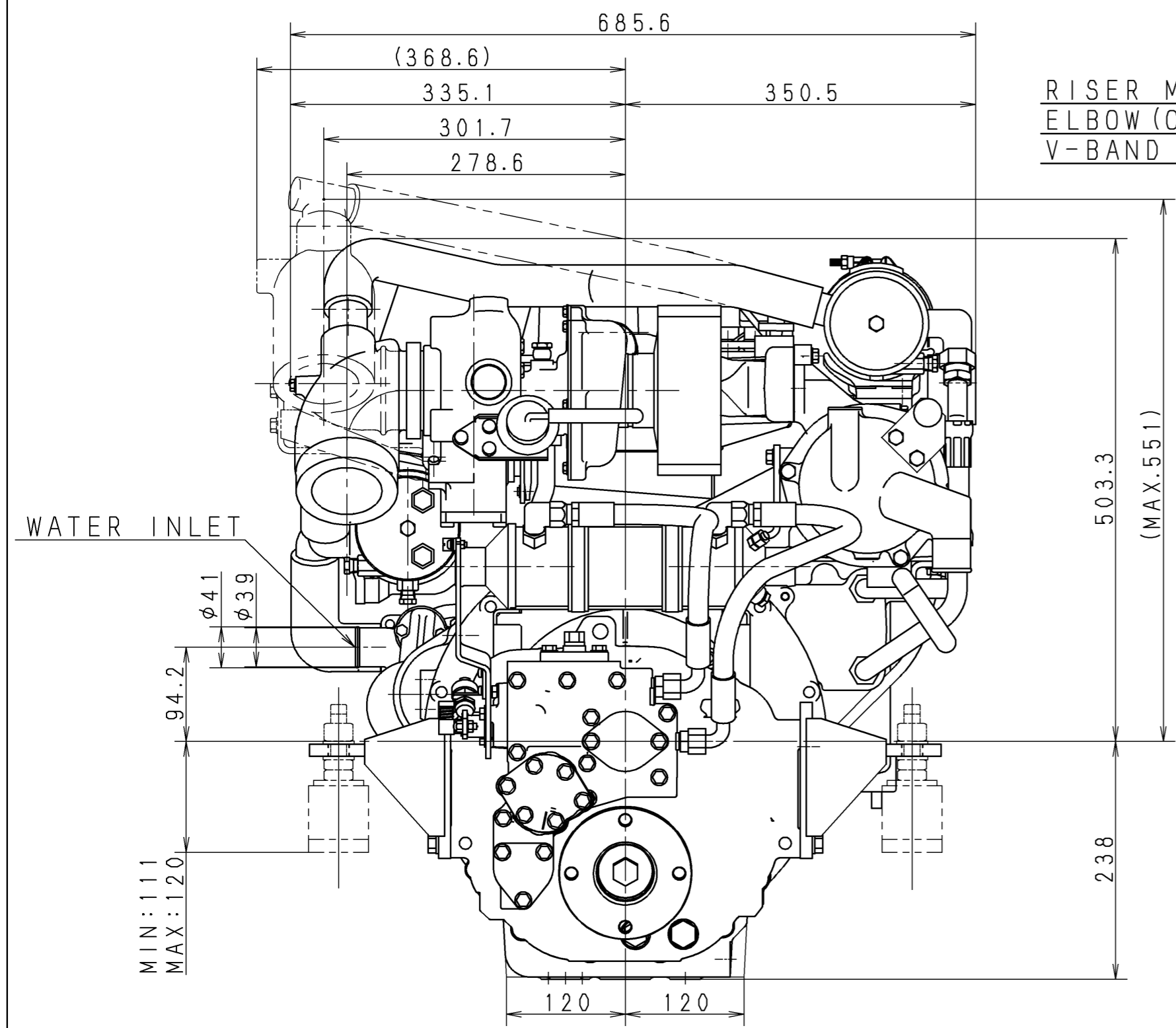
WATER INLET
12
φ39
270
287
646
222.5
MOUNTING FOOT
PARTS NO. 119175-08110
(OPTION)

RISER MIXING
ELBOW (OPTION)
V-BAND TYPE

MIXING ELBOW
V-BAND TYPE

FUEL OVERFLOW
φ9/φ16

FUEL INLET
φ9/φ16



DELIVERY
'08.08.18
YMI Development Dep.

部長
MANAGER
梶

- NOTES
- DWG. SHOWS MOUNTING BLOCKS AT COMPRESSED HEIGHT (COMPRESSED BY APPROX 5mm).
 - MOUNT P/#: 119175-08440 (BARRY)
 - THIS DRAWING IS REFERENCE PURPOSE. DETAILS OF FOLLOWING SECTIONS MAY BE CHANGED.
 - OIL-COOLER LOCATION OF MARINE GEAR.
 - HOLE DIAMETER OF MARINE GEAR SIDE MOUNTING BRACKET.

SPECIFICATIONS		
ENGINE MODEL		4LHA-STP
CONTINUOUS POWER (ISO 3046-1) (AT CRANKSHAFT)	kW/min ⁻¹	140/3100
	PS/rpm	190/3100
FUEL STOP POWER (ISO 3046-1) (AT CRANKSHAFT)	kW/min ⁻¹	177/3300
	PS/rpm	240/3300
DIRECTION OF CRANKSHAFT ROTATION		COUNTER-CLOCKWISE
MARINE GEAR MODEL		KMH50A
REDUCTION RATIO		1.67/2.13/2.43
DIRECTION OF OUTPUTSHAFT ROTATION		BOTH
DRY MASS WITH MARINE GEAR	kg	APPROX. 410

長 SEC. MANAGER 松岡	機種 MODEL 4LHA-STP	尺度 SCALE 1:5 (1:2.5)
検図 CHECKED 吉富	機能担当者 SPECIALIST 大橋	材質 MATERIAL ---
設計 DESIGNED 宮島	製図 DRAWN 大橋	年月日 DATE 2005.12.6
名称 NAME OUTLINE 4LHA-STP X KMH50A		個数 QTY. 1
YANMAR CO., LTD. DEVELOPMENT DEPT.		コード CODE B2-19175-0100
GROUP, USER=EM2, M301		CAD PN, FN=B2-19175-0100.

A

B

C

D

4

3

2

1

A2
(C)