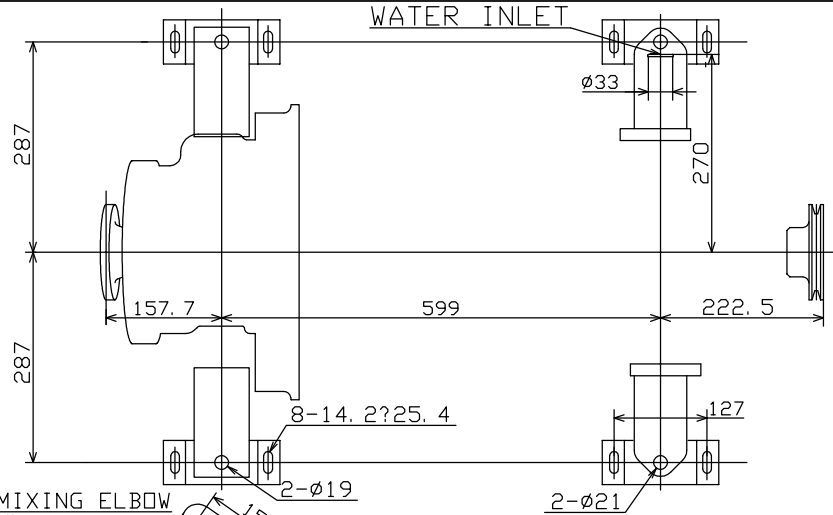


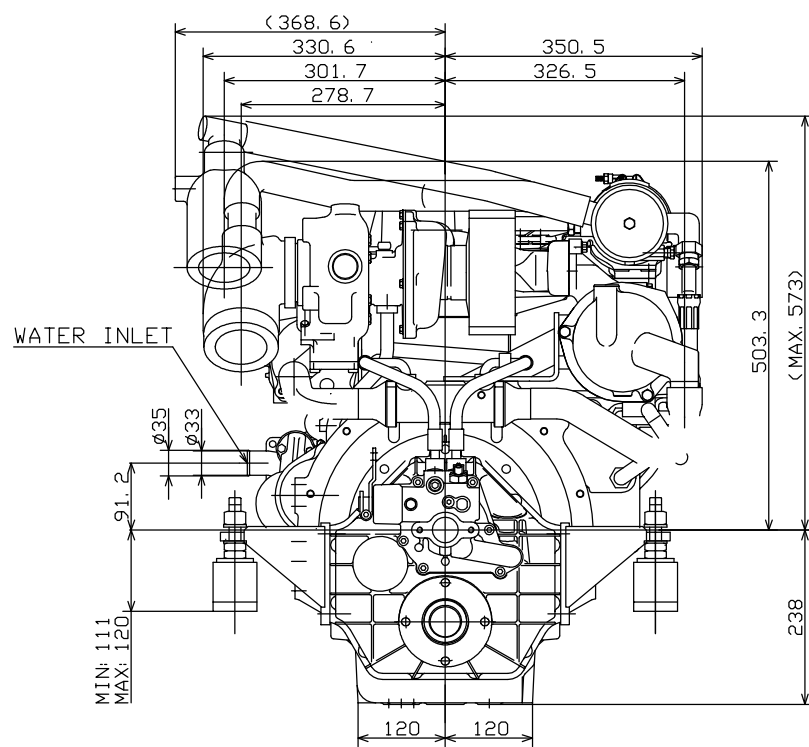
DETAIL OF COUPLING (1/2.5)



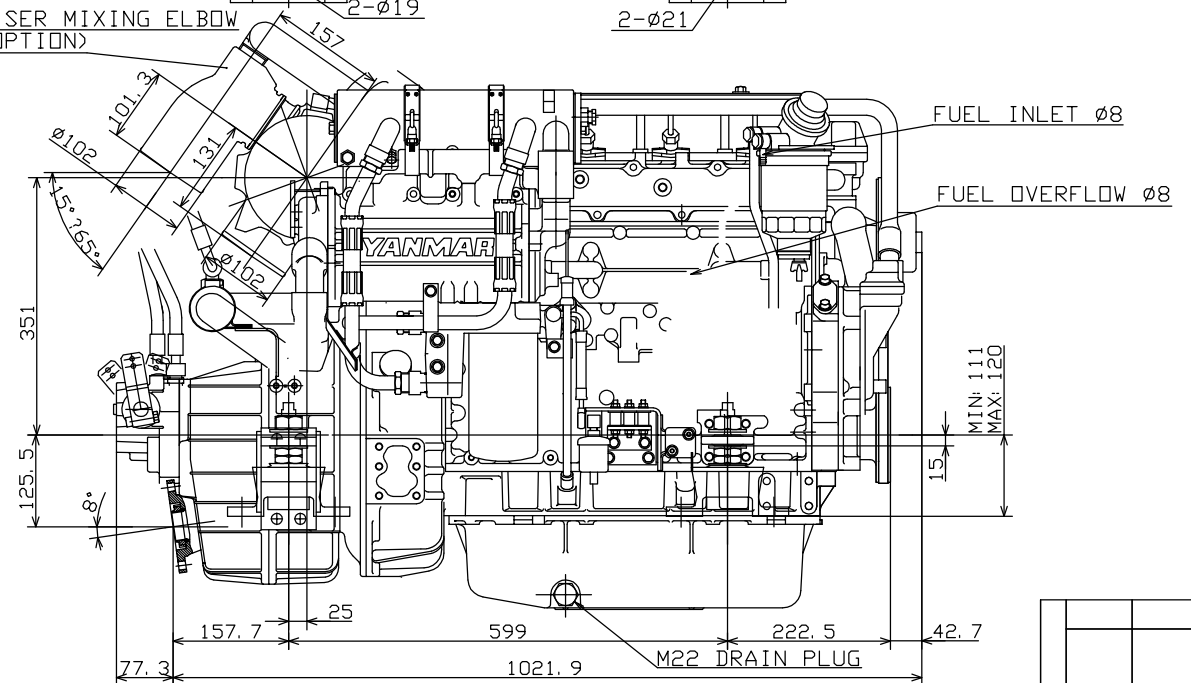
CAREER

1

2



RISER MIXING ELBOW (OPTION)



3

4

Scale 1/5 (1/2.5)

4LHA-HTP WITH ZF45A2

YANMAR MARINE INTERNATIONAL
24 April 2005

B2-19172-0550

A2 (C)

- NOTES
 1) DWG. SHOWS MOUNTING BLOCKS AT COMPRESSED HEIGHT (COMPRESSED BY APPROX 5mm).
 2) MOUNT P/#: 119175-08440 (BARRY).
 3) ALL DIMENSIONS ARE IN MILLIMETERS

A

B

C

D