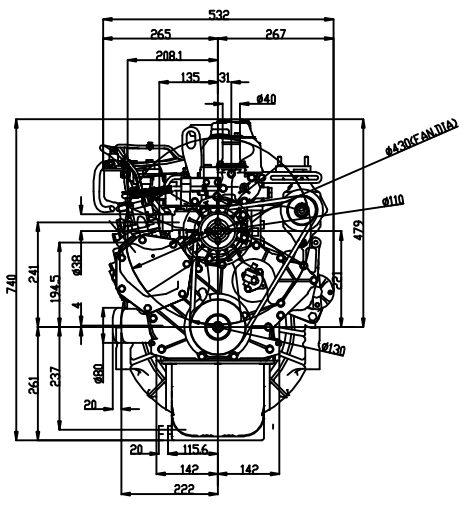
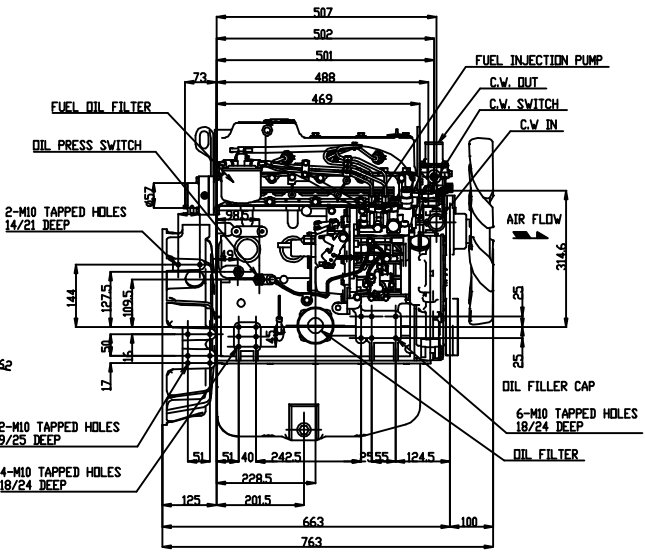
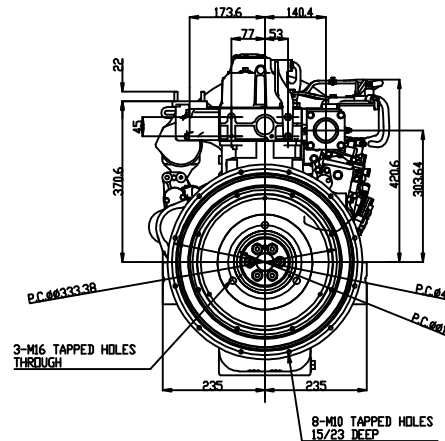
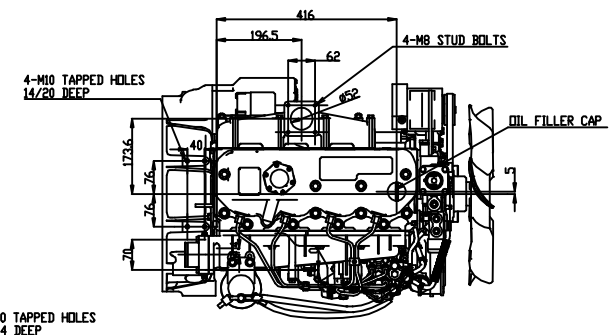
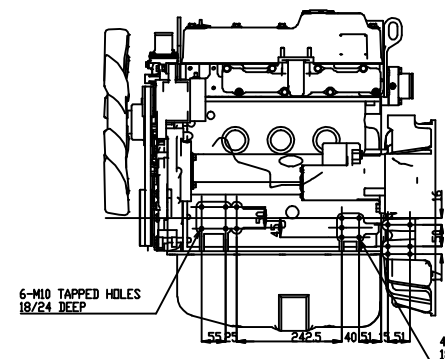


REQ.	PURCHASING SPECIFICATION	REMARKS FOR APPROVAL	DELIVERY DRAWING	INSPECTING STANDARD	QC-PROCESS
GEN. TITL.	UNIT NO.	DATE	NO.	REV.	
	2/78	3/78	1		

FIGURE DIMENSION  
 GT CODE  
 AND  RADIAL

3RD ANGLE PROJECTION  
**CAREER**  
 Rev.10(3.5)12  
 Change Int.Manifold  
 upper F.V. side  
 Change alternater  
 15A\*40A



SD-CAD

NOTICE

1. 2. 3. 4. 5. 6. 7. 8. 9. 10. 11. 12. 13. 14. 15. 16. 17. 18. 19. 20. 21. 22. 23. 24. 25. 26. 27. 28. 29. 30. 31. 32. 33. 34. 35. 36. 37. 38. 39. 40. 41. 42. 43. 44. 45. 46. 47. 48. 49. 50. 51. 52. 53. 54. 55. 56. 57. 58. 59. 60. 61. 62. 63. 64. 65. 66. 67. 68. 69. 70. 71. 72. 73. 74. 75. 76. 77. 78. 79. 80. 81. 82. 83. 84. 85. 86. 87. 88. 89. 90. 91. 92. 93. 94. 95. 96. 97. 98. 99. 100.

|   |            |            |                  |
|---|------------|------------|------------------|
| WEIGHT (CALC.)                                  | kg (lb)    | INSTRUMENT | ENGINEER/MANAGER |
| SEC/MANAGER                                     | DATE       | SCALE      | 1:5              |
| CHECKED   | SPECIALIST | QTY        | 1                |
| DESIGNED  | DRAWN      | DATE/YAD   | NAME             |
| B3-29936-0010                                   |            |            |                  |
| YANMAR  |            |            |                  |
| YANMAR CO., LTD. ENGINE PRODUCT OPERATIONS DIV. |            |            | B3-29936-0010    |