

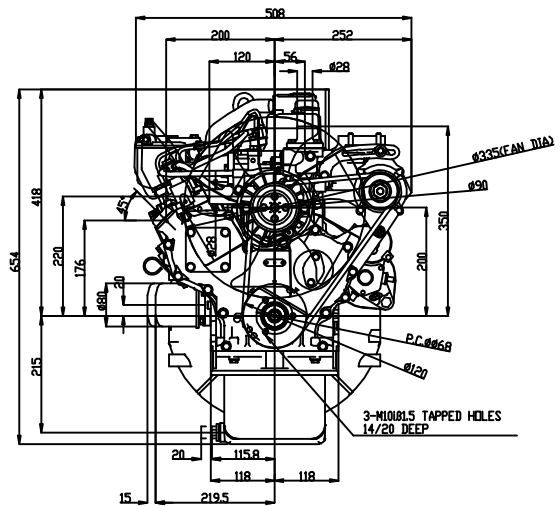
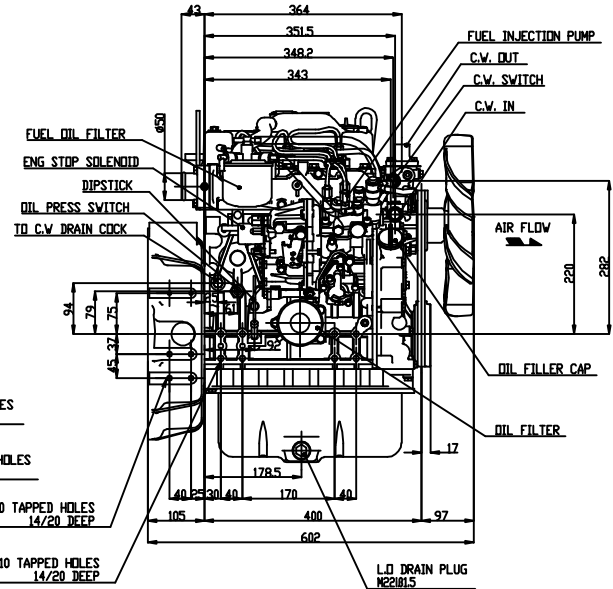
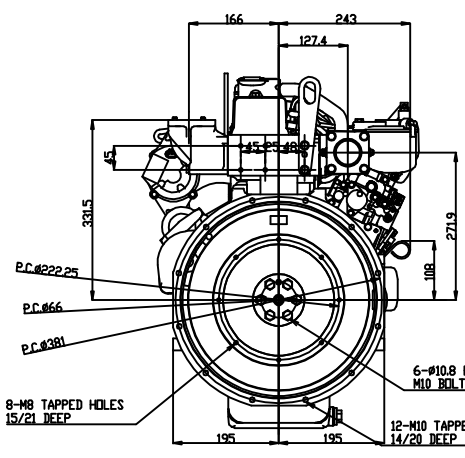
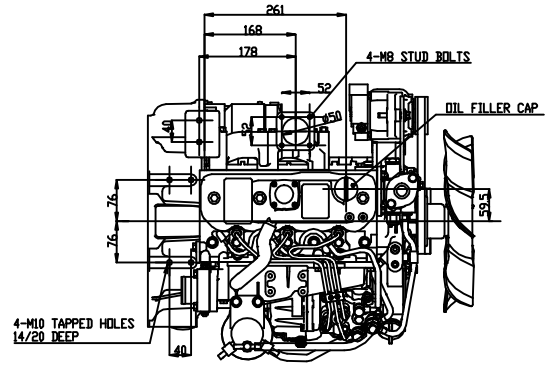
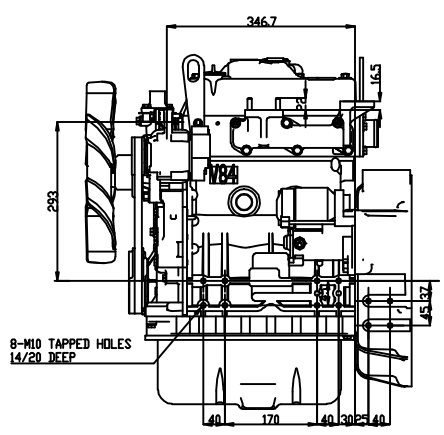
PURCHASING SPECIFICATION  
 REQUEST FOR APPROVAL  
 DELIVERY DRAWING  
 INSPECTING STANDARD  
 QC-PROCESS

FIGURE DIMENSION  
 GT CODE  
 AND  RADIAL

3RD ANGLE PROJECTION

CAREER

Rev.1(2003.Apr.18)  
 Change Int.Manifold  
 and Generator.  
 Rev.2(2003.Sep.11)  
 Change parts  
 17C.W. Drain Plug  
 17Generator  
 17Adjuster  
 (YDSTE-03410)  
 Rev.3(2004.Feb.5)  
 Change Exh.Manifold  
 (YDSTX-04014)  
 Rev.4(2004.Mar.4)  
 Correct CV-T  
 (YDSTX-04026)



SD-CAD

NOTICE

OPEN  
 CLOSE  
 ZOOM  
 PAN  
 ROTATE  
 TRANSLATE  
 SCALE  
 MIRROR  
 ERASE  
 COPY  
 PASTE  
 LAYER  
 DIMENSION  
 HATCH  
 TEXT  
 BLOCK  
 UNDO  
 REDO  
 PRINT  
 HELP

WEIGHT (GROSS)	kg (lb. 30)	INSTRUMENT	SCALE	1:4
WEIGHT (CALC.)	kg (lb. 30)	SEC/MANAGER	MATERIAL	
CHECKED	SPECIALIST	QTY	1	1
DESIGNED	DRAWN	DATE/1AD	NAME	210/3/27/03/210/26
<b>YANMAR</b>				
YANMAR CO., LTD. ENGINE PRODUCT OPERATIONS DIV.				
CODE				B3-29246-0010