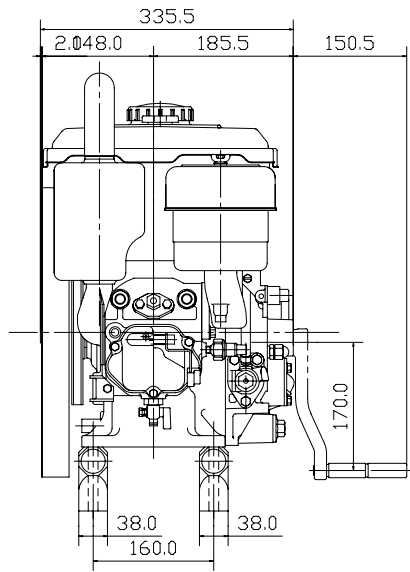
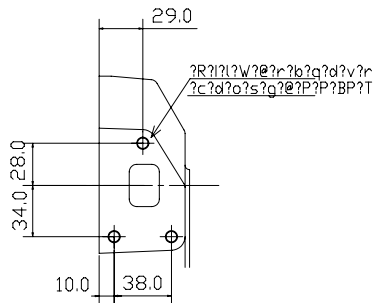


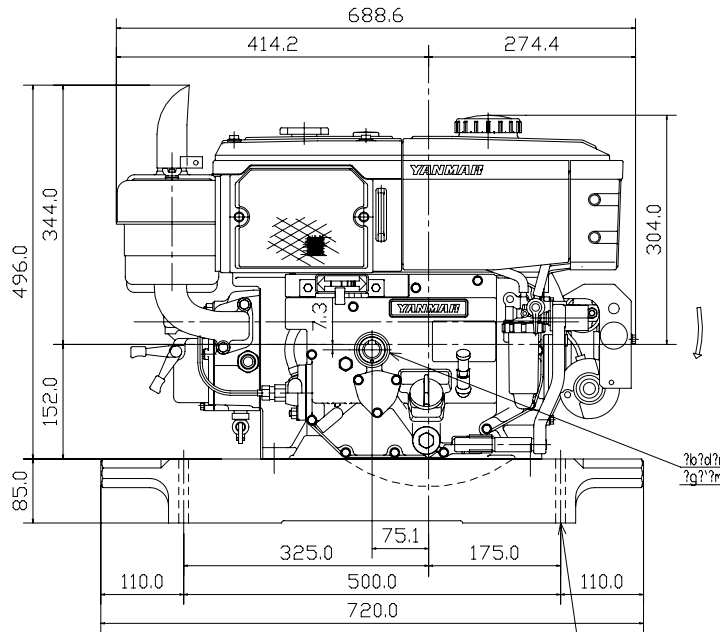
DETAIL OF ENGINE MOUNTING FOOT



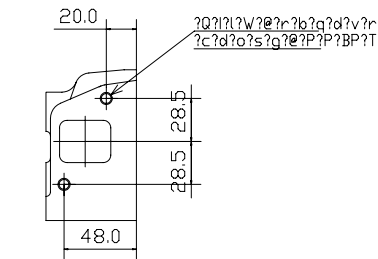
(FROM CRANK SHAFT CENTER)



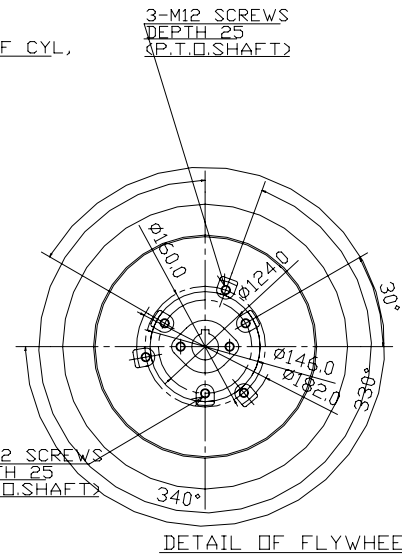
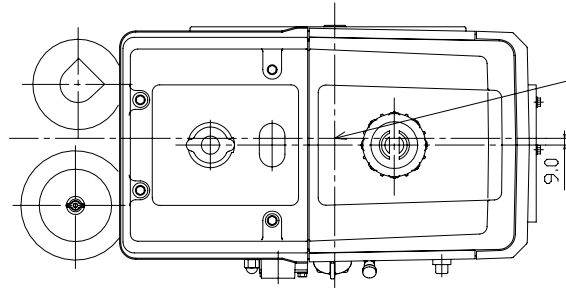
DETAIL OF EXHAUST PIPE SEAT(S;1/2.5)



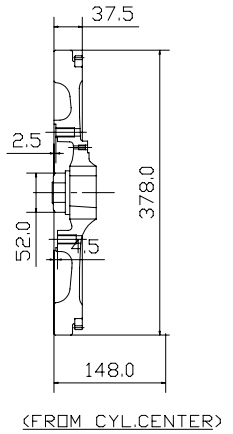
(FROM CRANK SHAFT CENTER)



DETAIL OF INLET PIPE SEAT(S;1/2.5)



DETAIL OF FLYWHEEL



(FROM CYL.CENTER)

HYDRAULIC TEST

HYDRAULIC TEST

SEC.MANAGER

CHECKED

DESIGNED

DATE

1997

10.20

NAME

TF80,90-ME

SCALE

MATERIAL

MANAGER

SCALE

MATERIAL

CODE