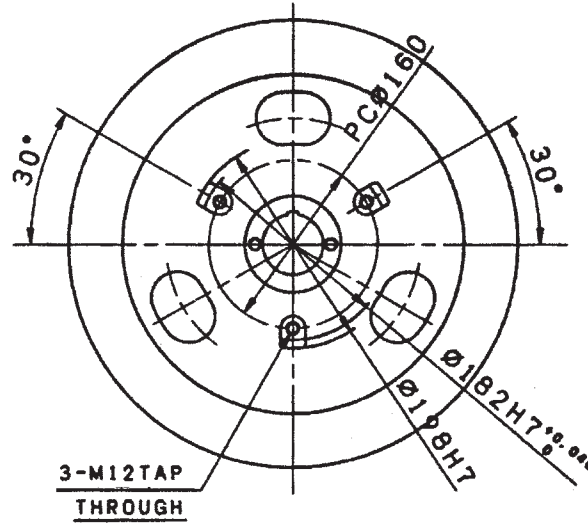
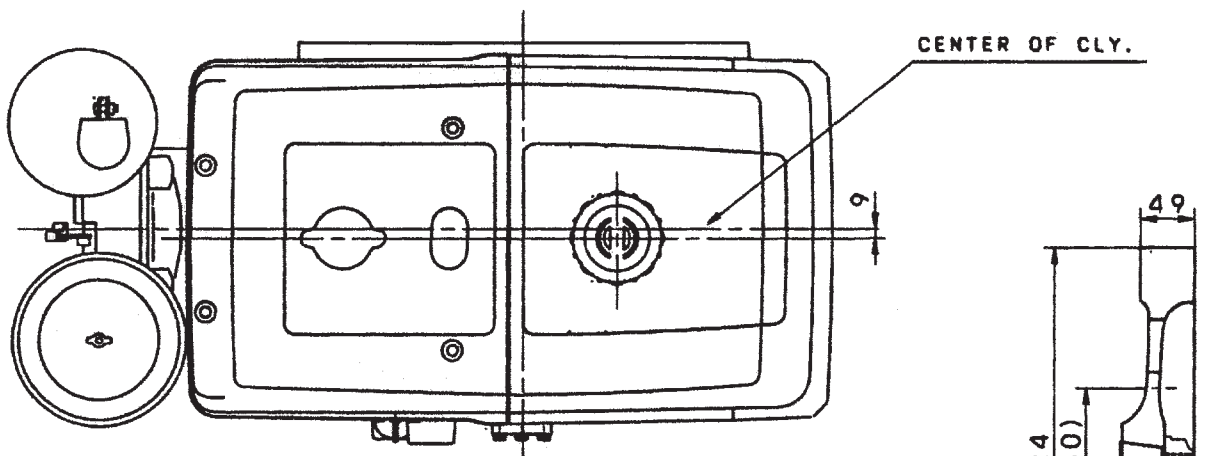
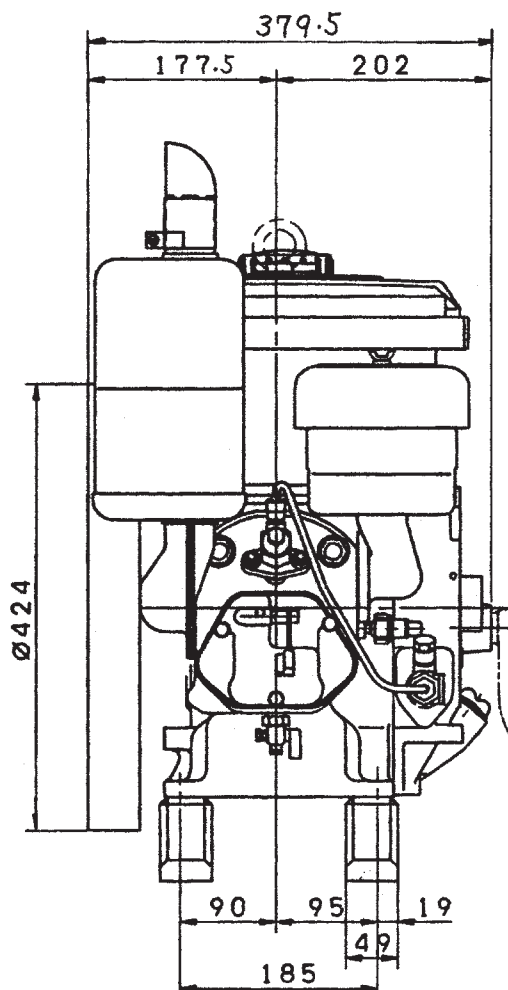


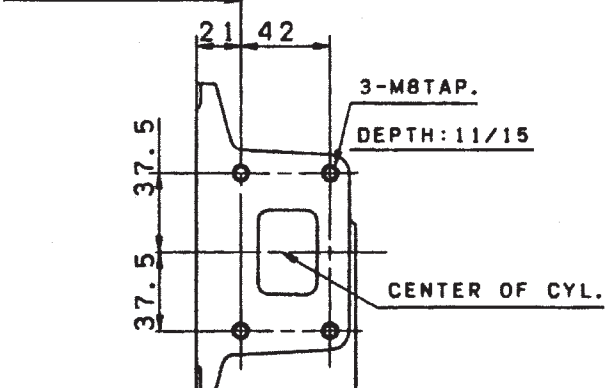
4-Ø15HOLE
M14 BOLT



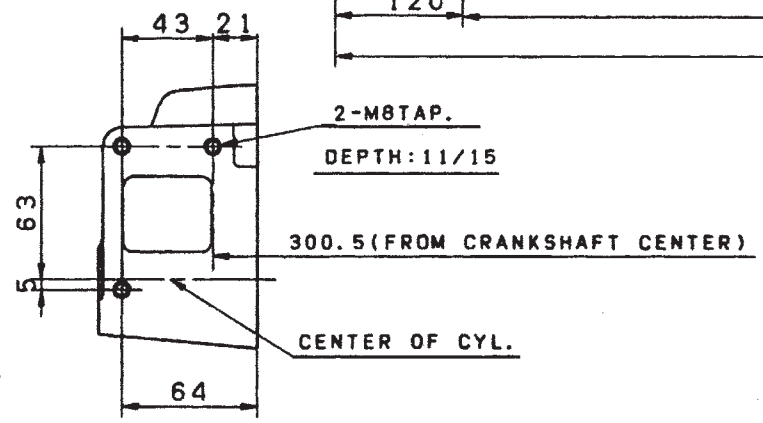
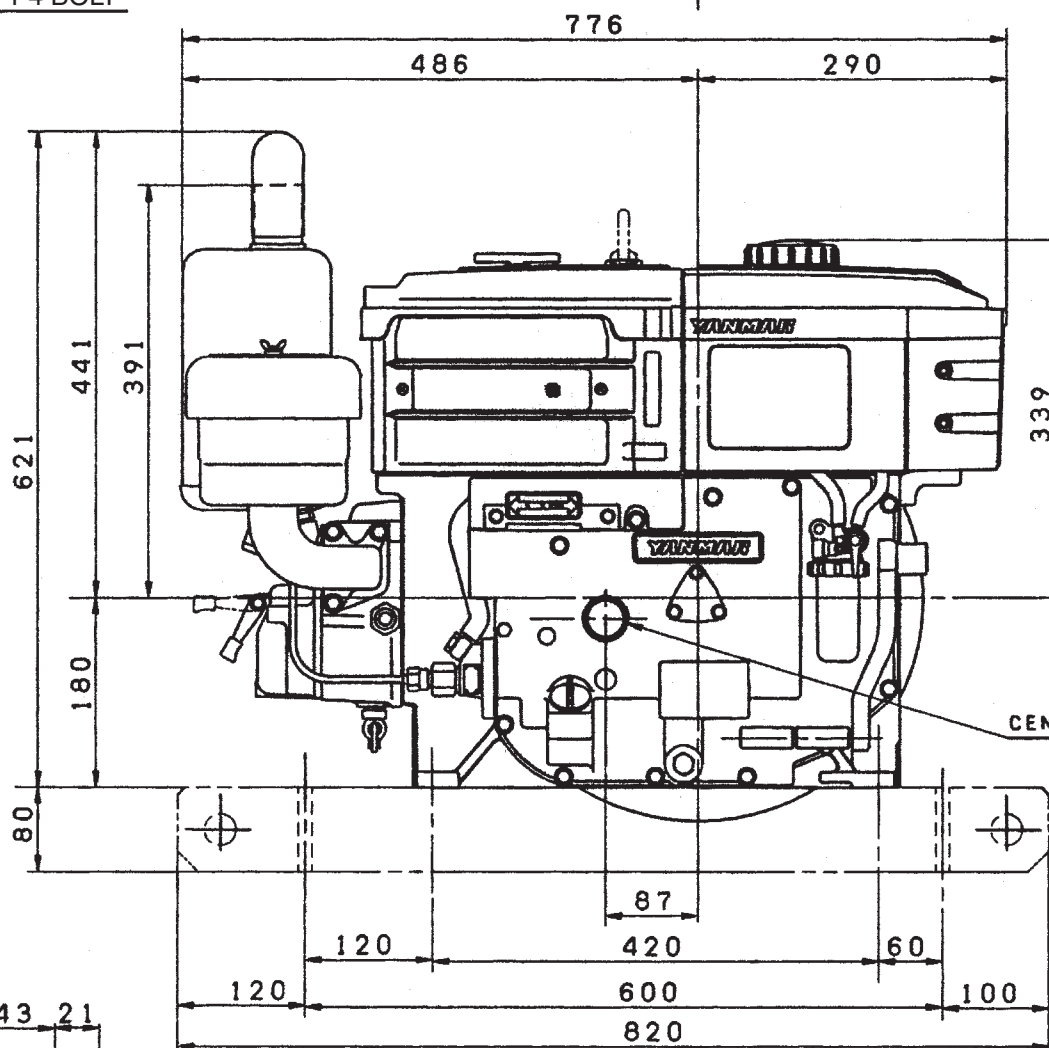
DETAIL OF FLYWHEEL



300.5 (FROM CENTER OF CRANKSHAFT)



DETAIL OF EXHAUST PIPE SEAT (1/2.5)



DETAIL OF INLET PIPE SEAT (S:1/2.5)

Engine Data			
Model		TF140	TF160
Output (continuous rating)	KW	9.19	10.29
	HP	12.5	14
Speed	Speed of Crankshaft rpm	2400	
	Speed of Driving Shaft rpm		
Max Output	KW	10.29	11.76
	HP	14	16
Speed of Crankshaft at Max output	rpm	2400	
No of Cylinder		4	
Rotation direction	Rotation of Crankshaft (View from flywheel side)	(Anti-clockwise)	
	Rotation of Driving Shaft (view from power take-off side)		
Dry Weight (about)	Kg	140	140

SEC. MANAGER	RESP. DESIGNER	MODEL	TF	TF	SCALE	(1/25) 1/5
		140	160		MATERIAL	—
P. J. DESIGNER	SPECIALIST	DATE	560.7.10			
CHECKED	DRAWN	TRACED	NAME	TF140. 160 OUTLINE		
YANMAR DIESEL ENGINE CO., LTD.			CODE	B2-05700-0030	SIZE	C
ENGINE DEVELOPMENT DEPT. 1						