

Yes <input type="checkbox"/>	Procurement Specifications			Inspection Standards			Quality Control Drawing			Specially Controlled Parts			Stably Controlled Parts during Initial Batch Production Period		
General Tolerance (mm)	Above 1	Below 4	±0.1	Above 250	Below 1000	±0.8	General Tolerance (mm)	Above 10	Below 50	±1'	General Tolerance (mm)	Above 10	Below 50	±30'	
	Above 4	Below 16	±0.2	Above 1000	Below 2000	±1.2	Angle (Cutting)	Above 50	Below 120	±20'		Above 50	Below 120	±20'	
	Above 63	Below 250	±0.5	Above 2000	Below 4000	±2.0		Above 120		±10'		Above 120		±10'	

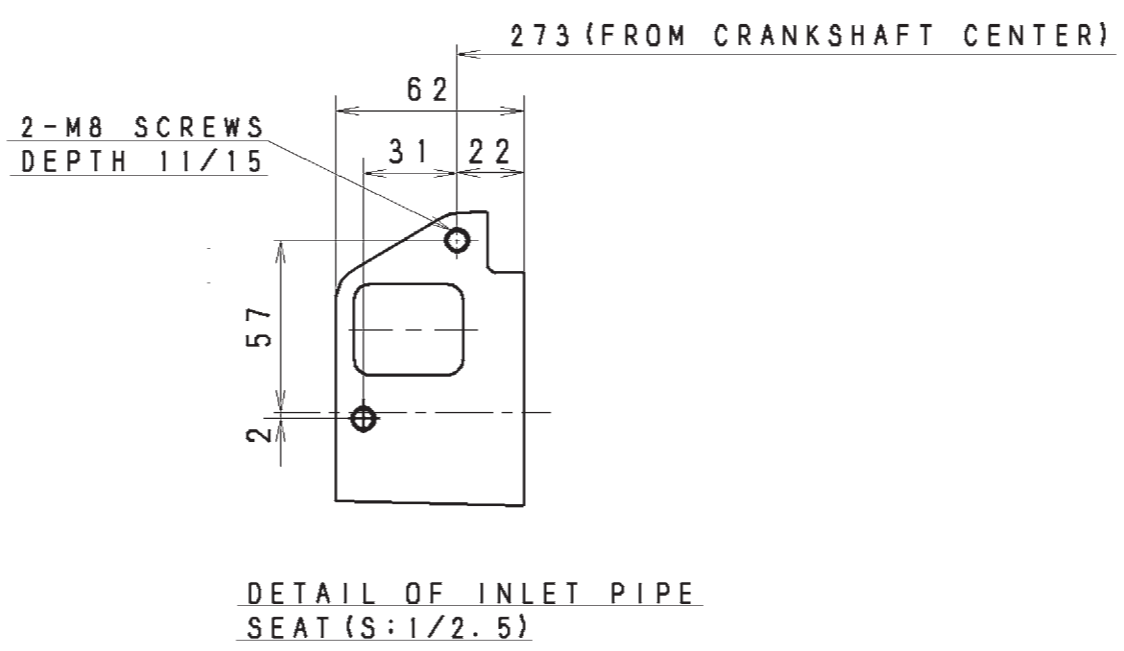
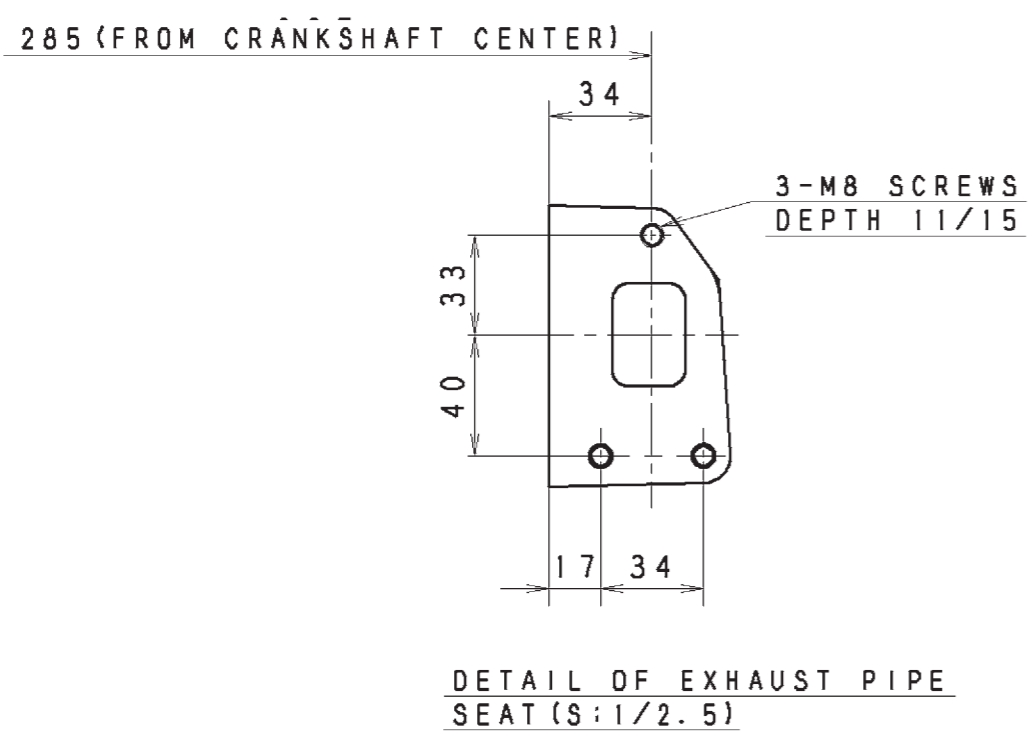
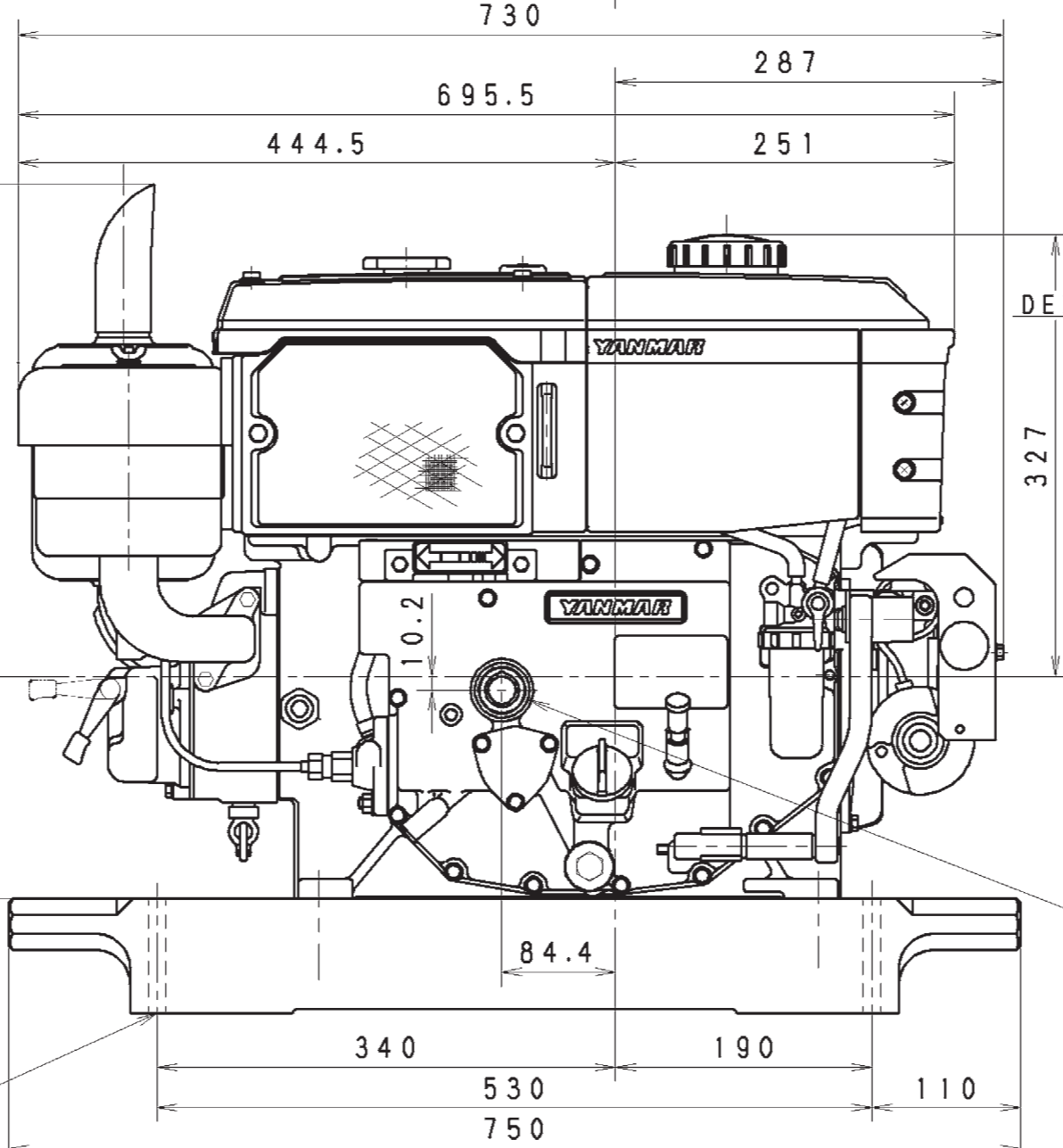
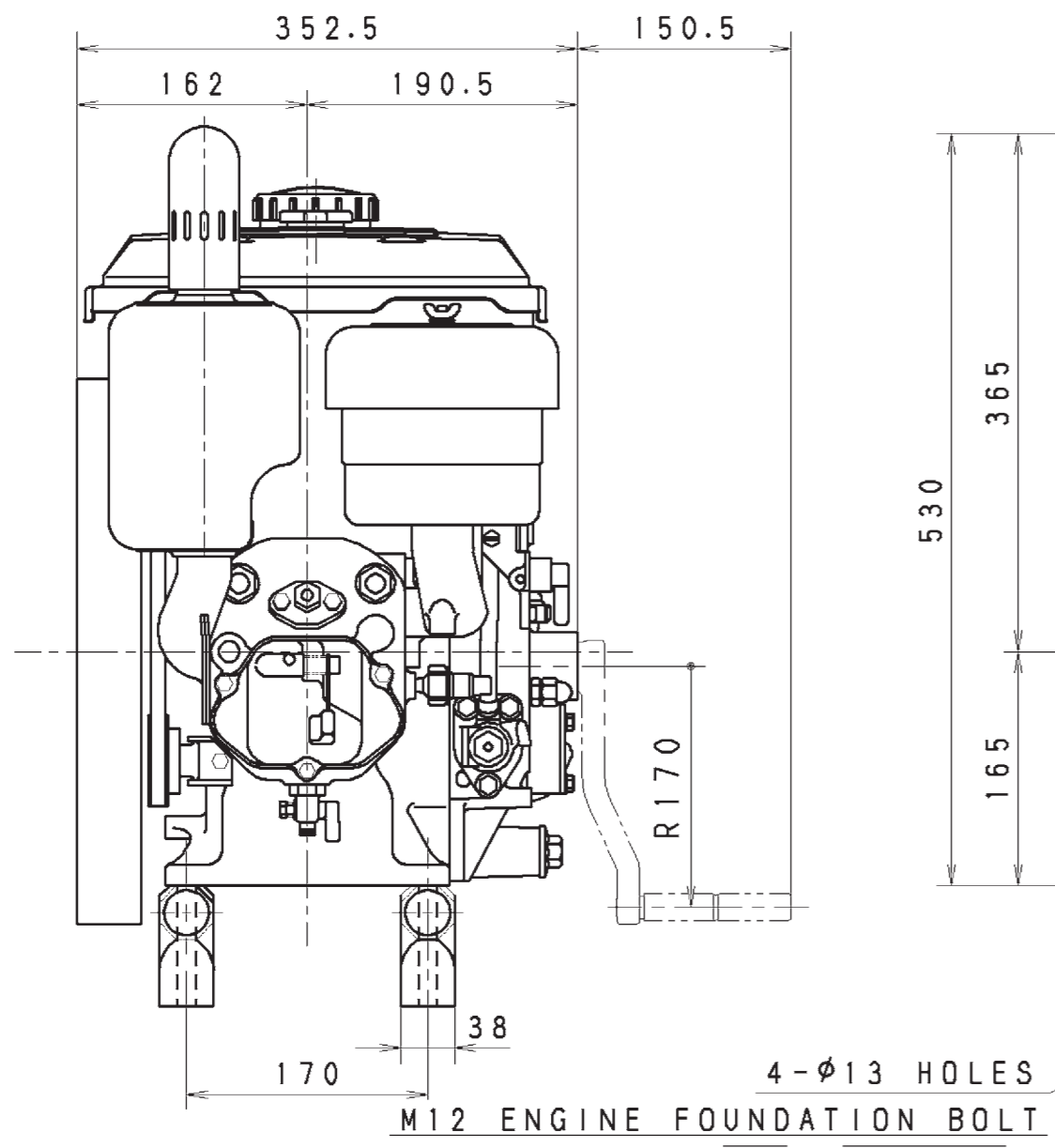
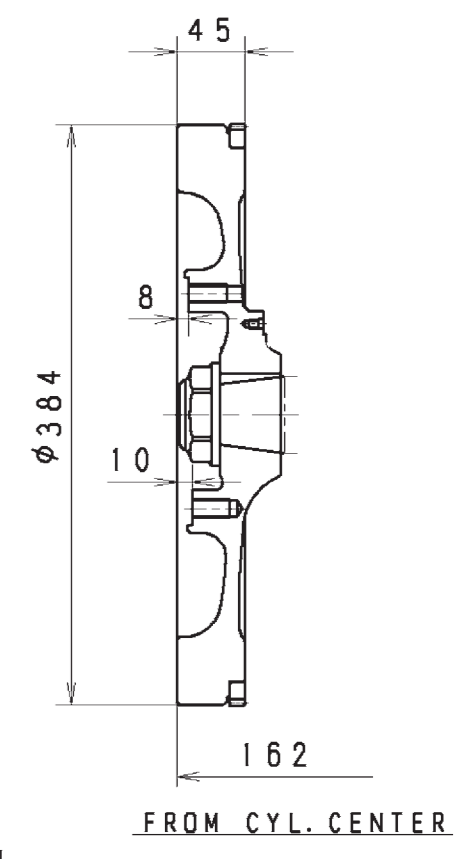
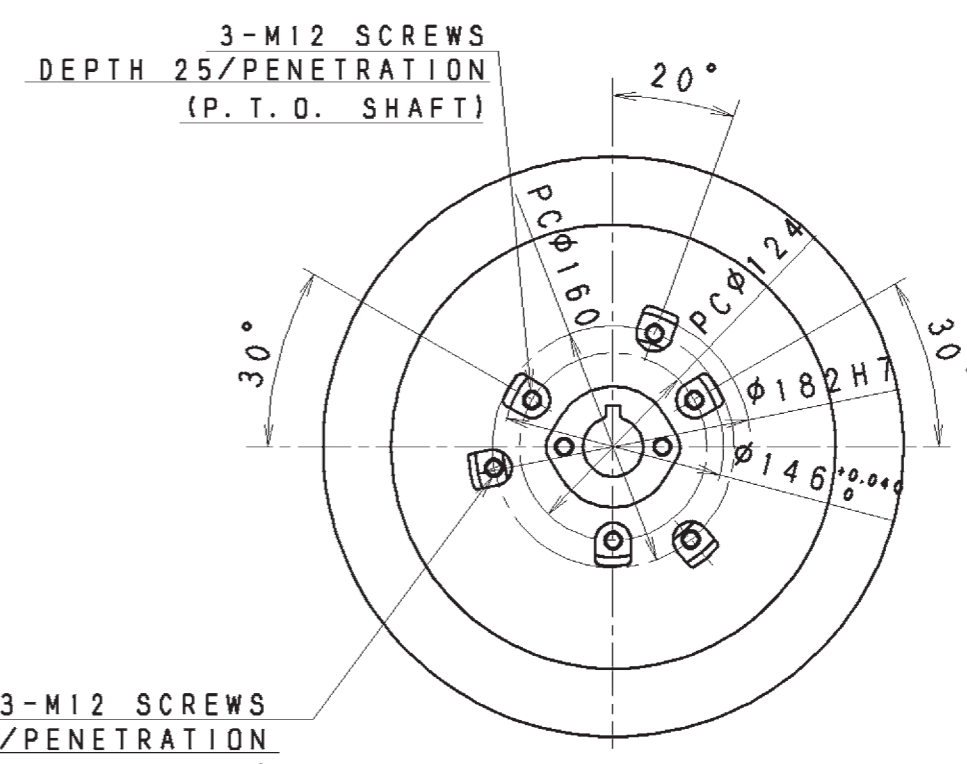
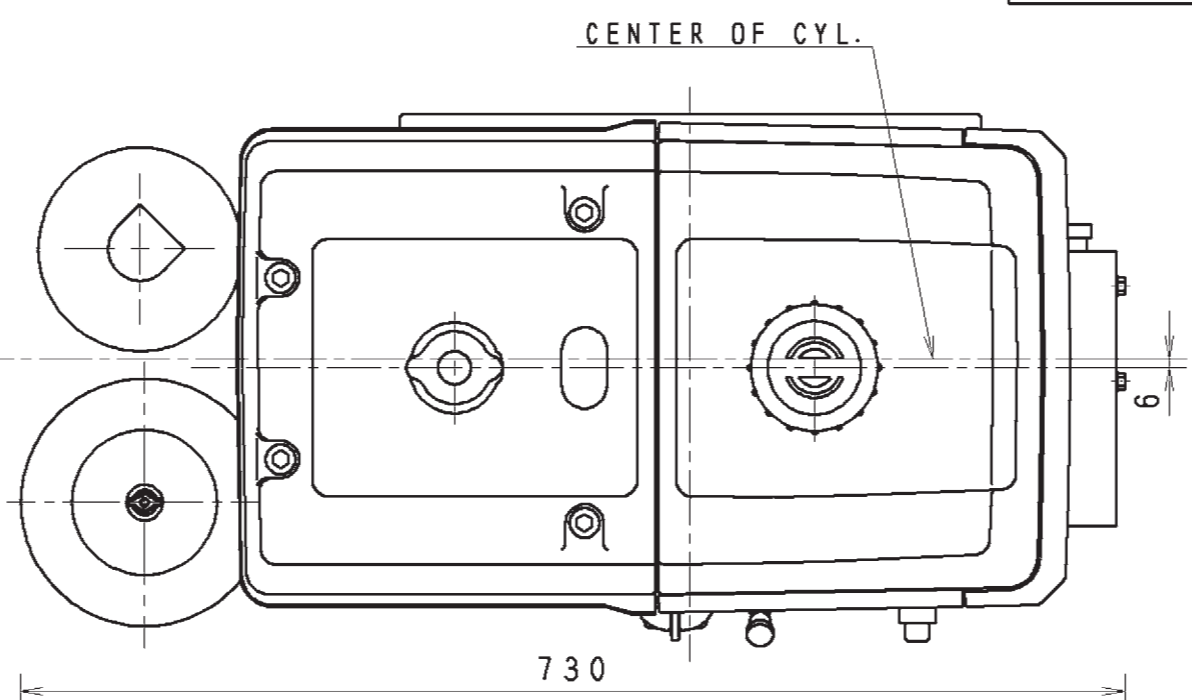
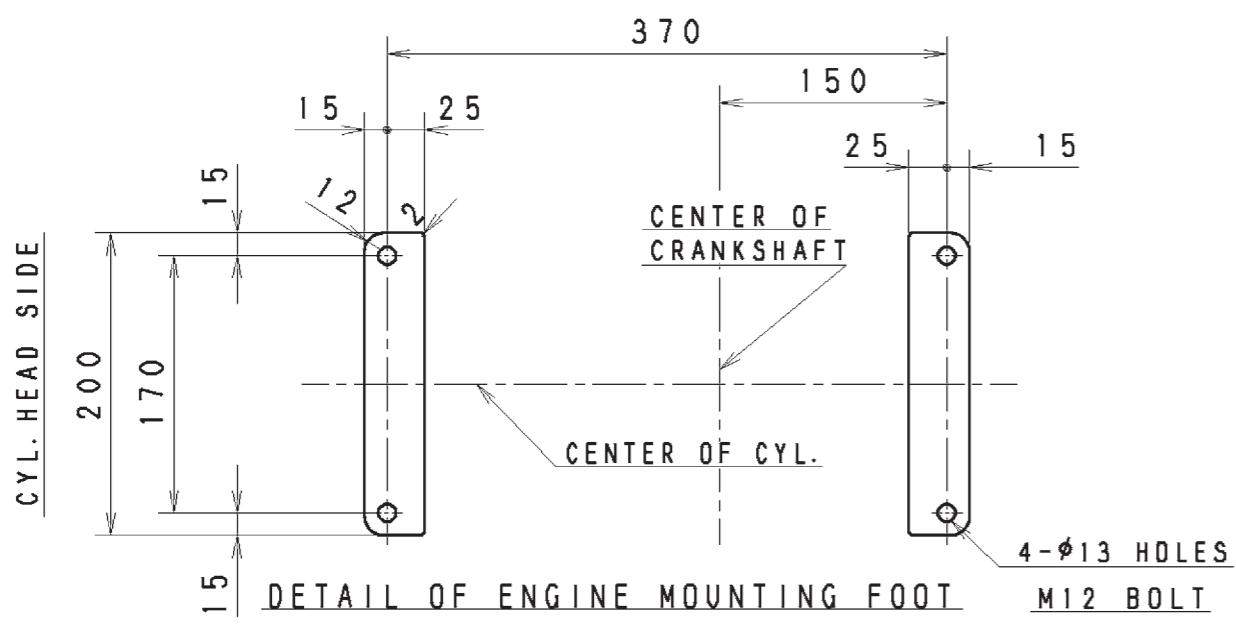
Shape & Dimensions Code

G.T.CODE M

Circularity and cylindricity are obtained from the radius measurement method

CAREER

('97. 10. 28) Newly compiled as M/C specifications.



WEIGHT (RAW)	(± %)	HYDRAULIC TEST	MPa	MANAGER	No.1 Chief of Technology
WEIGHT (Precision %)	(± %)	PNEUMATIC TEST	( kg/cm <sup>2</sup> )		
SEC. MANAGER		MODEL	TF 110, 120 -ME -ME	SCALE	1/5 (1/2.5)
CHECKED	SPECIALIST	QTY.	1 / 1	MATERIAL	
DESIGNED	DRAWN	DATE	1997 10.20	NAME: TF 110, 120 -ME Outline of Assembly	
YANMAR DIESEL ENGINE CO., LTD.			ENGINE DEVELOPMENT DEPT.		
			CODE	B2-05500-0065	Drawing Size A2 (C)

Important Check Points	Symbol
Precision Type & Symbol	Symbol
Type	Symbol
Form Tolerance	Symbol
Orientation Tolerance	Symbol
Position Tolerance	Symbol
Surface Tolerance	Symbol
Texture Tolerance	Symbol