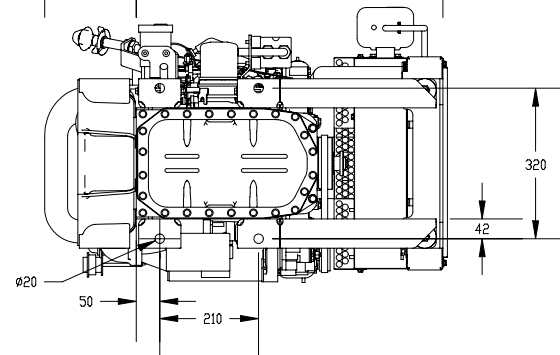
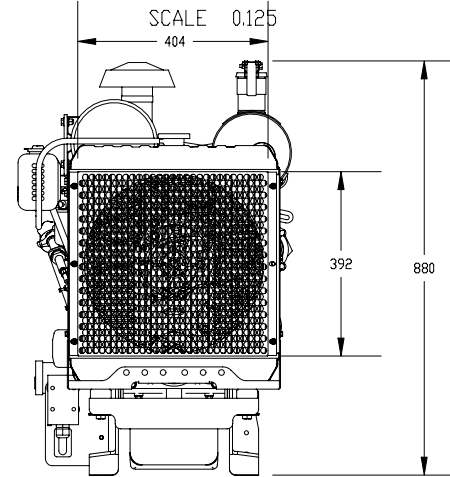
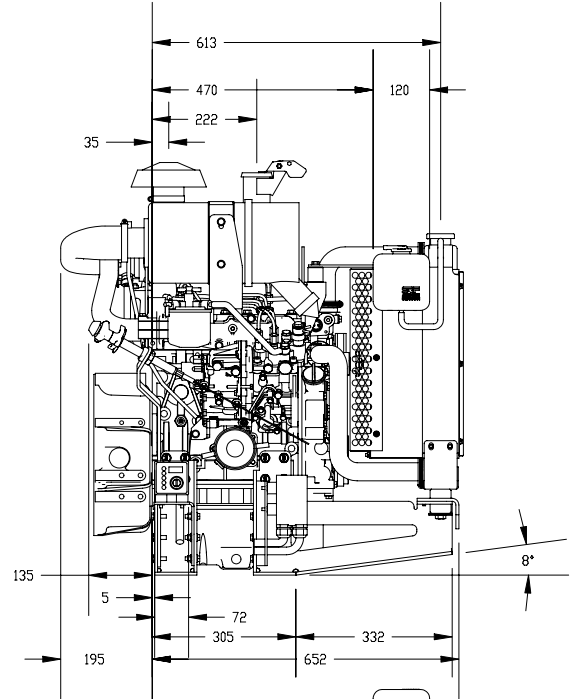
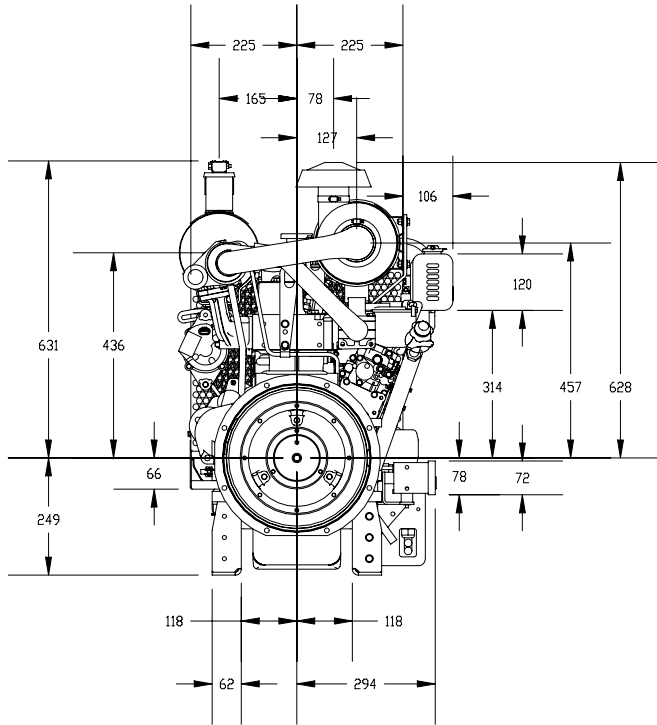
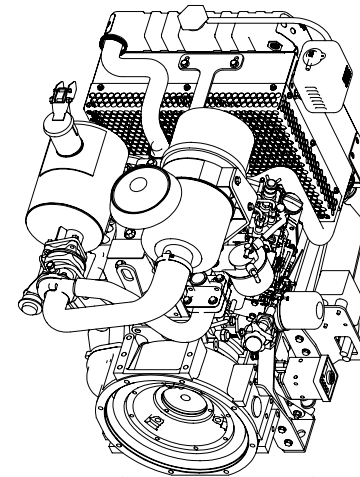
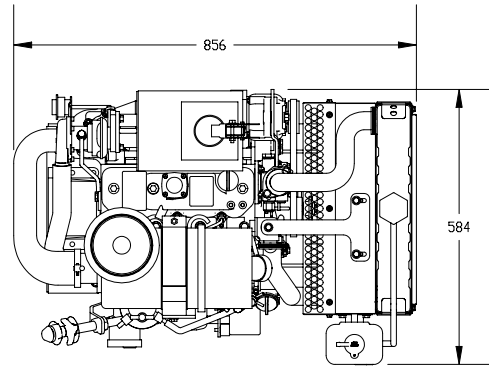


NOTES:

- 1. measurements are taken from the cylinder block rear and the crankshaft
- 2. dimensions for the upgraded control panel are larger than the panel in the model
- 3. the flywheel housing will be different based upon the spec design of the engine



YANMAR CO., LTD.
YANMAR AMERICA CORP

G.MANAGER

S.MANAGER SPECIALIST

CHECKED DESIGN/DRAW

MODEL				
QTY				

PART NAME	OUTLINE DRAWING	PART CODE	3TNV84T-KIT
-----------	-----------------	-----------	-------------