

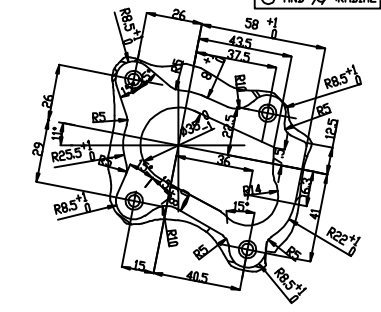
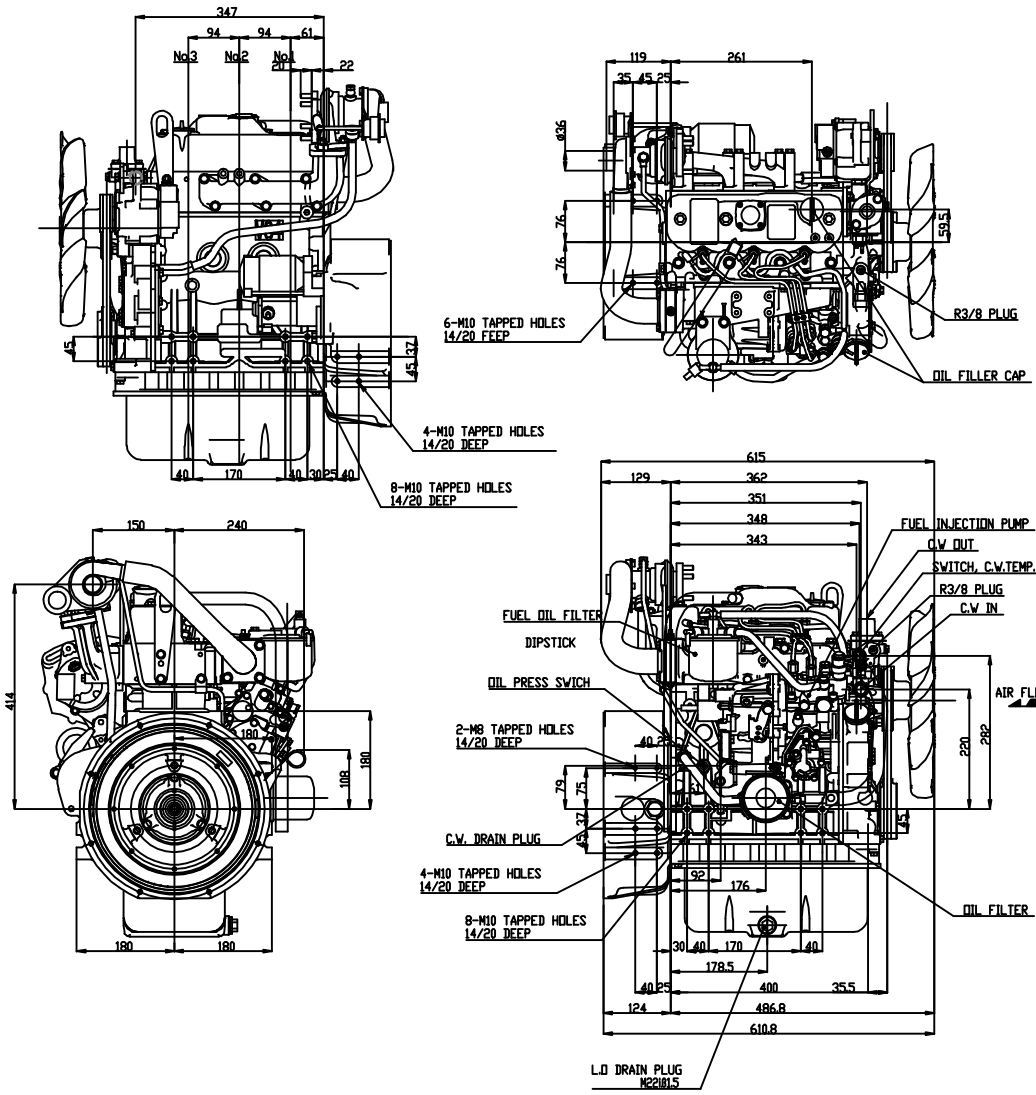
3TNV84T-KSA

PURCHASING SPECIFICATION
 REQUEST FOR APPROVAL
 DELIVERY DRAWING
 INSPECTING STAMPING
 QC-PROCESS

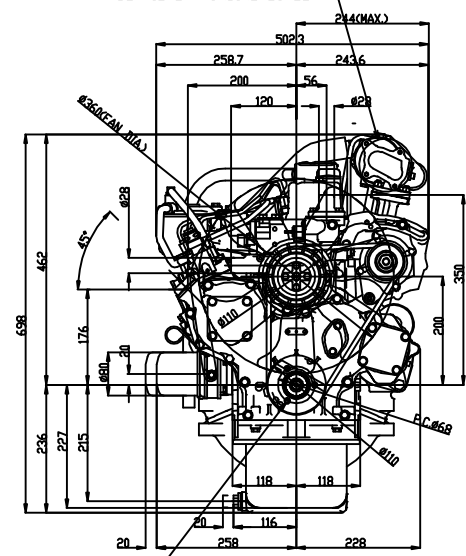
3RD ANGLE PROJECTION

FIGURE DIMENSION
 GT CODE
 AND RADIAL

CAREER



DETAIL OF TURBINE OUTLET
 SCALE 1:1
 DETAIL OF TURBINE OUTLET



SD-CAD

NOTICE

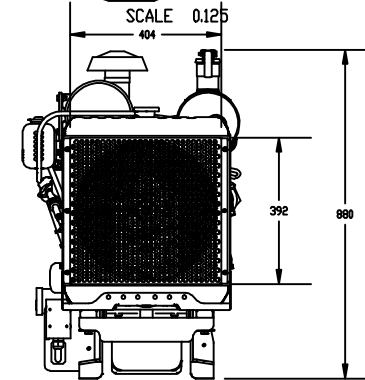
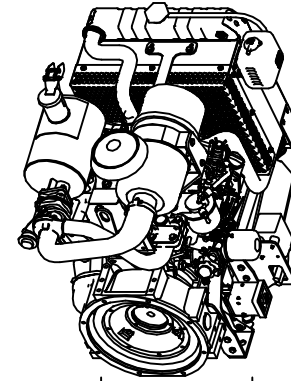
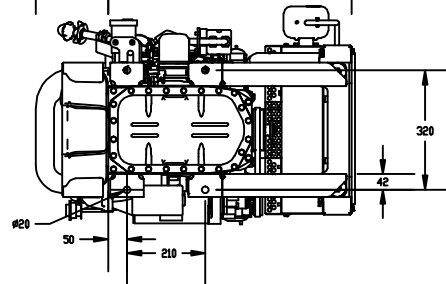
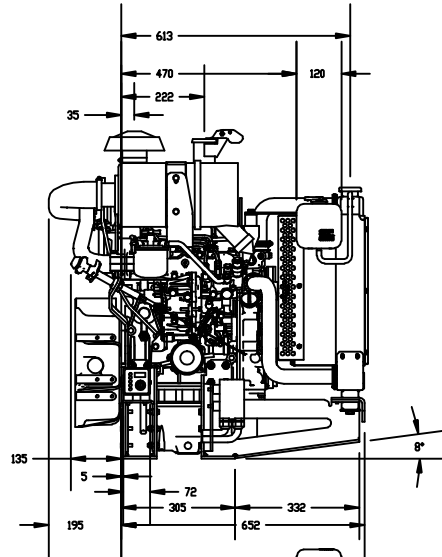
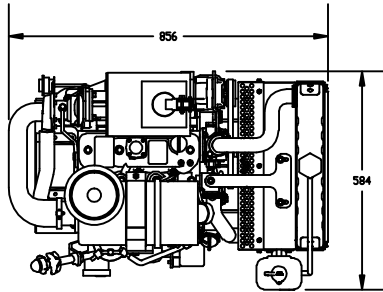
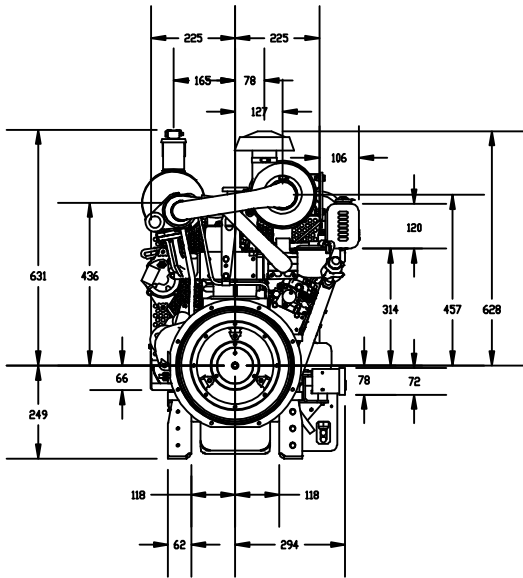
COPY
 PASTE
 ERASE
 MOVE
 ROTATE
 SCALE
 DIMENSION
 HIDE
 UNHIDE
 ZOOM
 PAN
 PRINT
 HELP

WEIGHT (GROSS)	kg (lb 30)	DESIGNER	
WEIGHT (CALC.)	kg (lb 30)	SCALE	1:1
SEC. MANAGER		DATE	
CHECKED	SPECIALIST	QTY	1
DESIGNED	DRAWN	DATE/AD	NAME
K.Muro	E. Adachi	0803.312	
YANMAR			
YANMAR CO., LTD. ENGINE PRODUCT OPERATIONS DIV.			
CAREER			03-29006-0030 A1

Power Unit

NOTES:

1. measurements are taken from the cylinder block rear and the crankshaft
2. dimensions for the upgraded control panel are larger than the panel in the model
3. the flywheel housing will be different based upon the spec design of the engine



CAREER

YANMAR CO., LTD.	
YANMAR AMERICA CORP.	
DRAWN	
DRAWN	SPECIALIST
CHECKED	DESIGN/DRW
MODEL	
QTY	

PART NAME	OUTLINE DRAWING	PART CODE	3TNV84T-KIT
-----------	-----------------	-----------	-------------