

3TNV82A-DSA

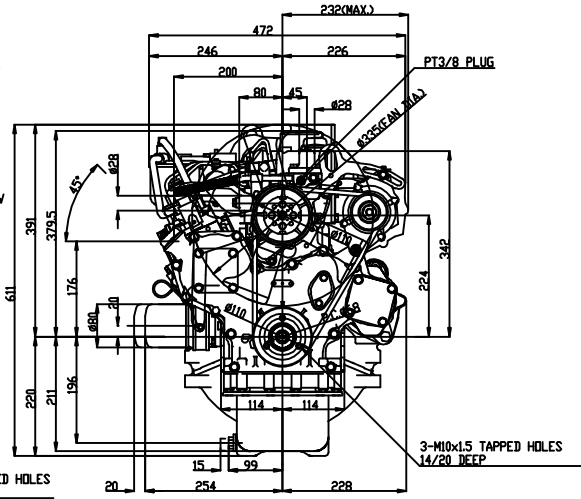
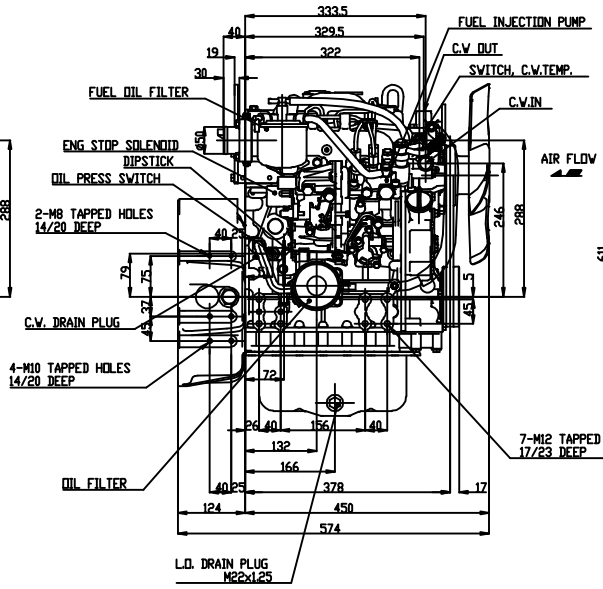
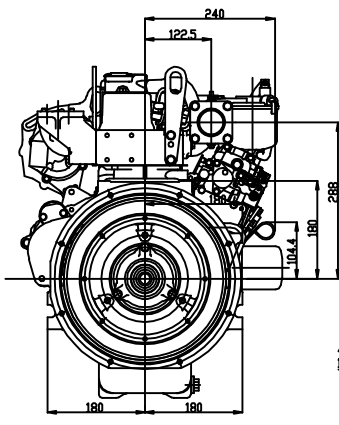
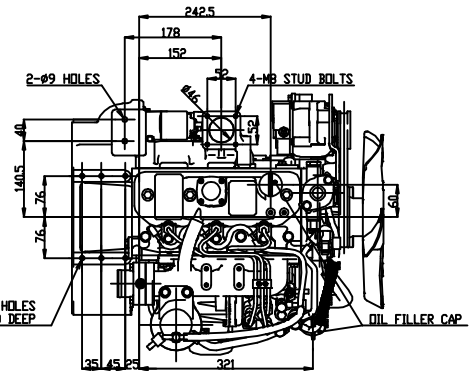
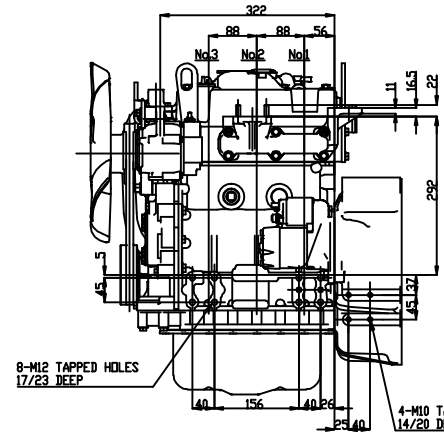
MEET SPECIFICATION
 PURCHASING SPECIFICATION
 REQUEST FOR APPROVAL
 DELIVERY DRAWING
 INSPECTING STAMPING
 QC-PROCESS

FIGURE DIMENSION
 GT CODE
 AND RADIAL

3RD ANGLE PROJECTION

CAREER

Rev.1 (2003.Dec.03)
 Add to 3TNV82A-DJSA
 (YDSTE-65977)



SD-CAD

NOTICE

OPEN
 CLOSE
 ZOOM
 PAN
 ROTATE
 TRANSLATE
 SCALE
 MIRROR
 ERASE
 COPY
 PASTE
 UNDO
 REDO
 PRINT
 HELP

WEIGHT (GROSS)	kg (lb)	14 (31)	ENGINEER	
WEIGHT (CALC.)	kg (lb)	14 (31)	MANAGER	
CHECKED	SPECIALIST	QTY 1	SCALE	1:4
DESIGNED	DRAWN	DATE/YEAR	NAME	MATERIAL
K.Nomura	E.Aochi	2003.12		
YANMAR				
YANMAR CO., LTD. ENGINE PRODUCT OPERATIONS DIV.				
CODE				REV. 01
B3-19802-0060				A1

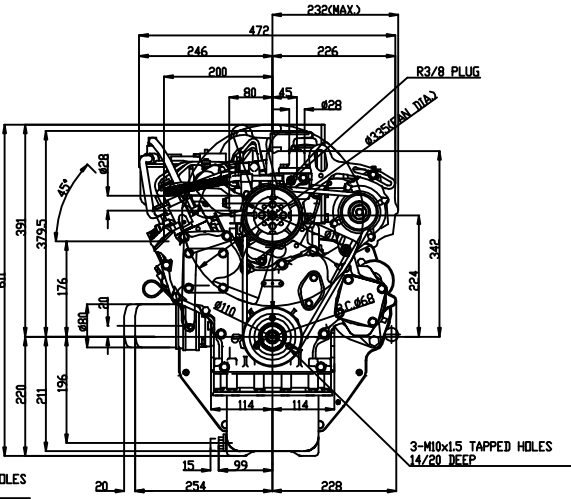
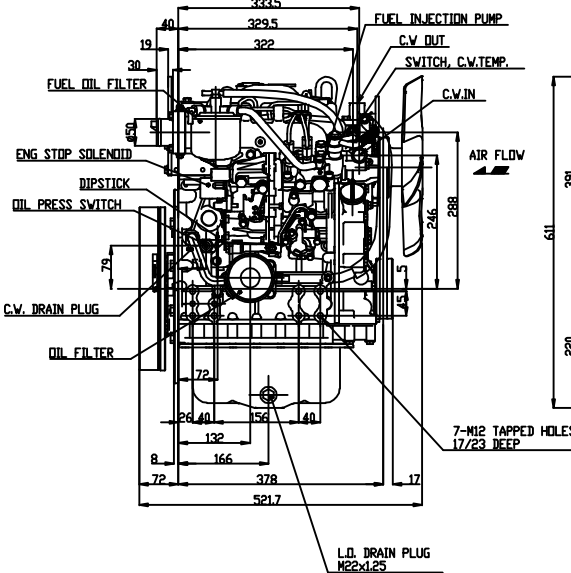
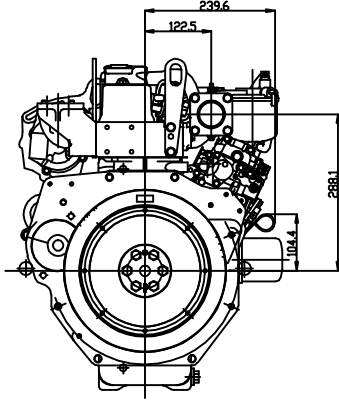
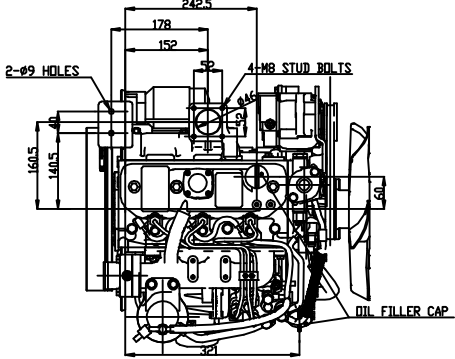
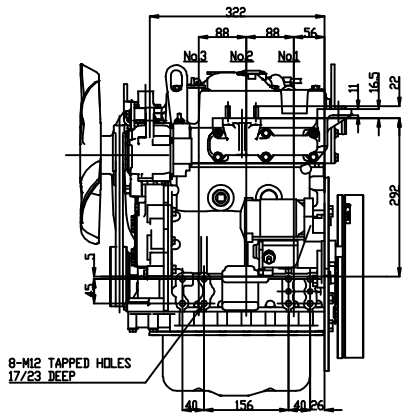
3TNV82A-DSA3

PURCHASING SPECIFICATION
 REQUEST FOR APPROVAL
 DELIVERY DRAWING
 INSPECTING STANDARD
 QC-PROCESS

FIGURE DIMENSION
 GT CODE
 AND RADIAL

3RD ANGLE PROJECTION

CAREER



SD-CAD

NOTICE

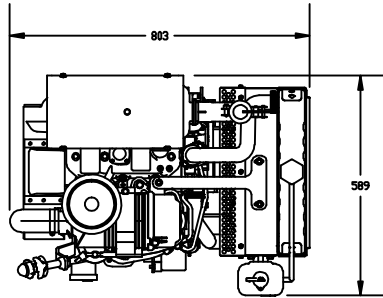
1
 2
 3
 4
 5
 6
 7
 8
 9
 10
 11
 12
 13
 14
 15
 16
 17
 18
 19
 20
 21
 22
 23
 24
 25
 26
 27
 28
 29
 30
 31
 32
 33
 34
 35
 36
 37
 38
 39
 40
 41
 42
 43
 44
 45
 46
 47
 48
 49
 50
 51
 52
 53
 54
 55
 56
 57
 58
 59
 60
 61
 62
 63
 64
 65
 66
 67
 68
 69
 70
 71
 72
 73
 74
 75
 76
 77
 78
 79
 80
 81
 82
 83
 84
 85
 86
 87
 88
 89
 90
 91
 92
 93
 94
 95
 96
 97
 98
 99
 100

WEIGHT (GROSS)	kg	g	ENGINE/MANAGER
WEIGHT (CALC.)	kg	g	
CHECKED	SPECIALIST	QTY	SCALE 1:4
DESIGNED	DRAWN	DATE/YAD	MATERIAL
K.Moruro	E.Aochi	2003.11.11	
YANMAR			
YANMAR CO., LTD. ENGINE PRODUCT OPERATIONS DIV.			
OUTLINE			08/1
C/DWG			83-19802-0080

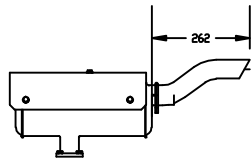
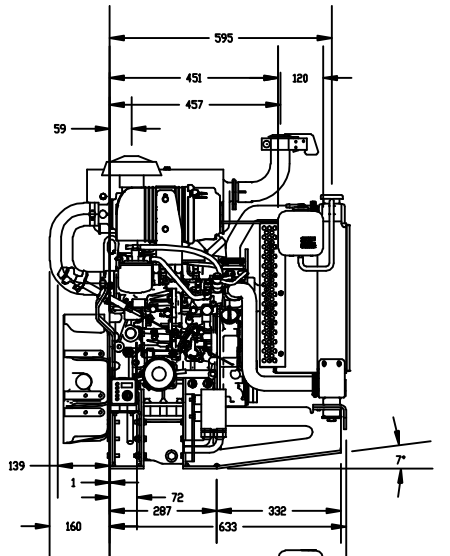
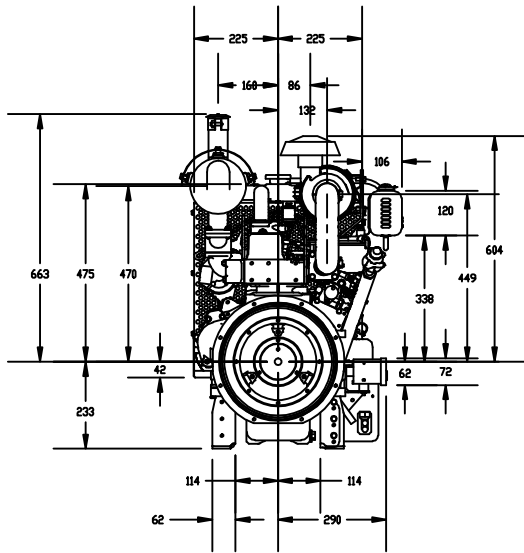
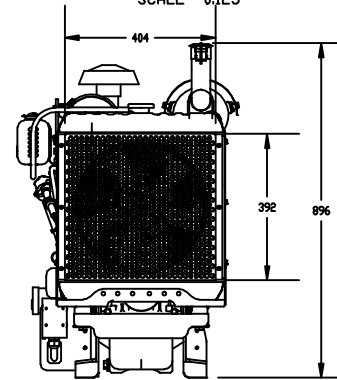
Power Unit

NOTES:

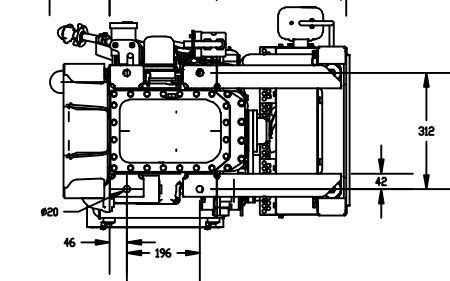
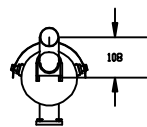
1. measurements are taken from the cylinder block rear and the crankshaft
2. dimensions for the upgraded control panel are larger than the panel in the model
3. the flywheel housing will be different based upon the spec design of the engine



SCALE 0.125



SCALE 0.125



CAREER

YANMAR CO., LTD.	
YANMAR AMERICA CORP.	
DRAWN	
DRAWN	SPECIALIST
CHECKED	DESIGN/DRW
MODEL	
QTY	

PART NAME	OUTLINE DRAWING	PART CODE	3TNV82A-KIT
-----------	-----------------	-----------	-------------