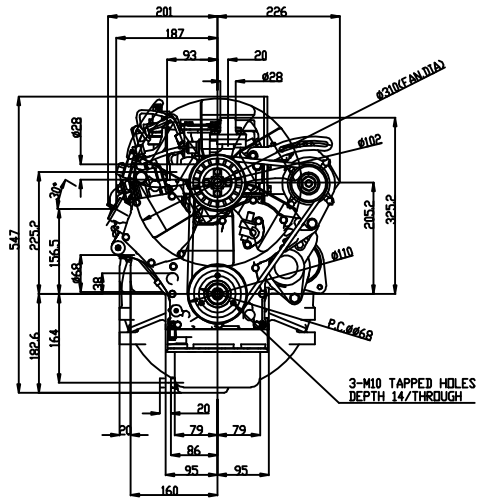
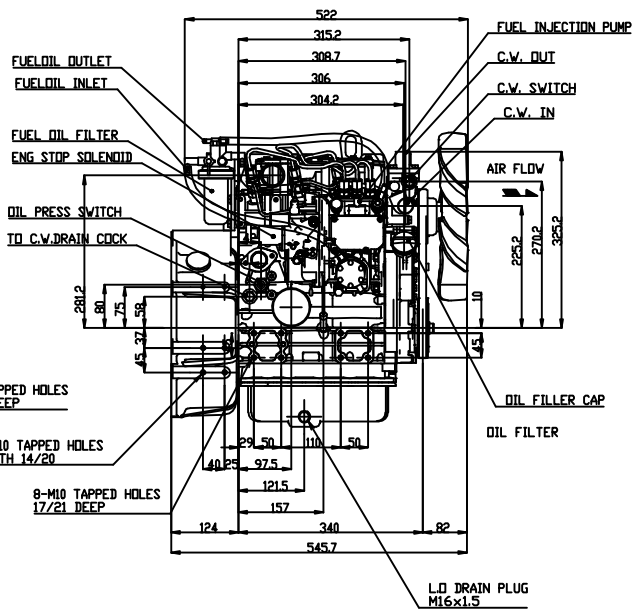
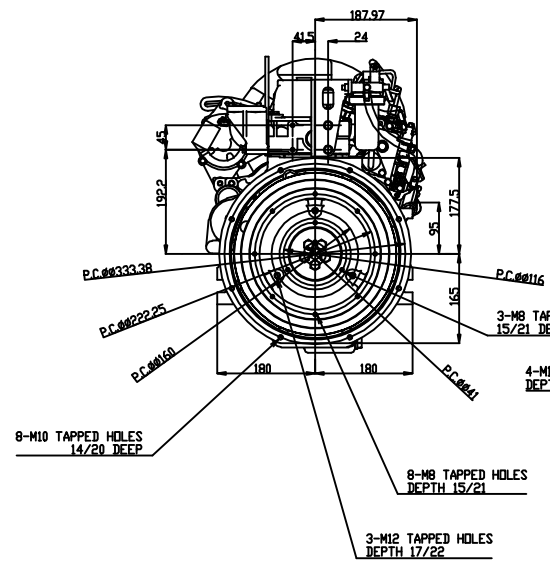
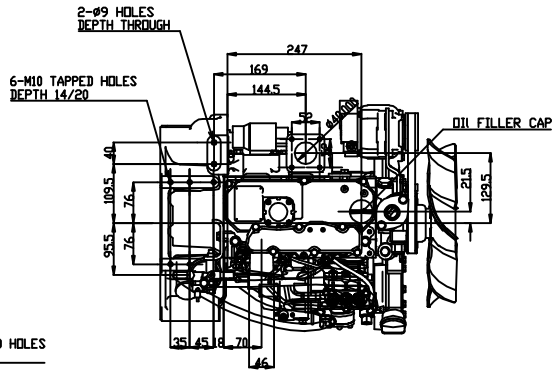
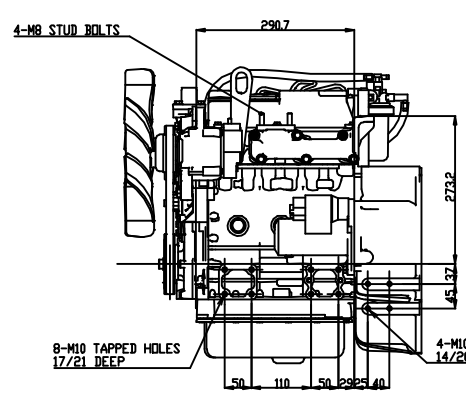


PURCHASE SPECIFICATION
 REQUEST FOR APPROVAL
 DELIVERY DRAWING
 INSPECTING STANDARD
 QC-PROCESS

3RD ANGLE PROJECTION

FIGURE DIMENSION
 GT CODE
 AND RADIAL

CAREER



SD-CAD

NOTICE

OPEN
 CLOSE
 PRINT
 SAVE
 DELETE
 COPY
 PASTE
 UNDO
 REDO
 ZOOM
 PAN
 ROTATE
 SCALE
 MIRROR
 TRIM
 EXTEND
 FILLET
 CHAMFER
 HATCH
 DIMENSION
 TOLERANCE
 CENTERLINE
 PHOSPHOR
 ANNOTATE
 LAYER
 BLOCK
 UNBLOCK
 PURGE
 REGEN
 RECOVER
 EXPORT
 IMPORT
 HELP

WEIGHT (GRAV)	kg	78.30	MANAGER	DESIGNED	DATE: Y.M.D	SCALE	1:4	
WEIGHT (CALC.)	kg	0.0000	SEC.MANAGER	CHECKED	SPECIALIST	QTY	1	
DESIGNED			DRAWN			DATE: Y.M.D		
7.8			X0			2003.11.7		
YANMAR							OUTLINE	
YANMAR CO., LTD. ENGINE PRODUCT OPERATIONS DIV.							B3-19546-0010	