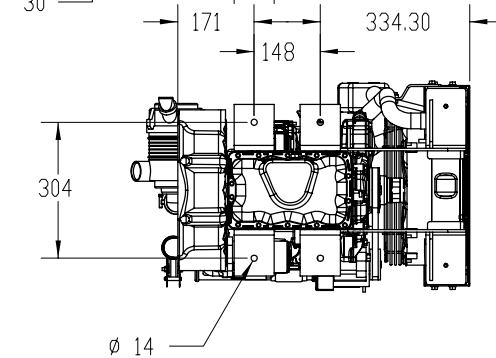
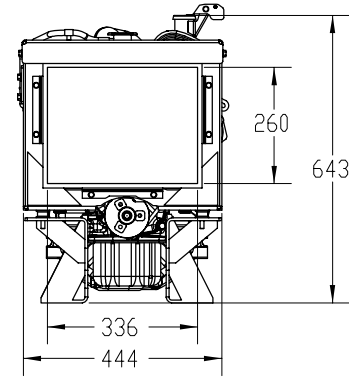
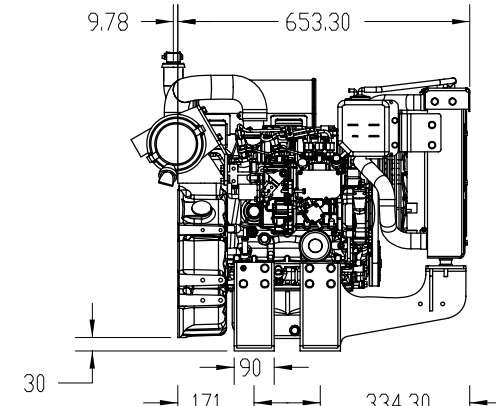
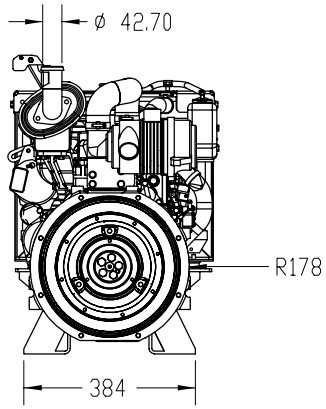
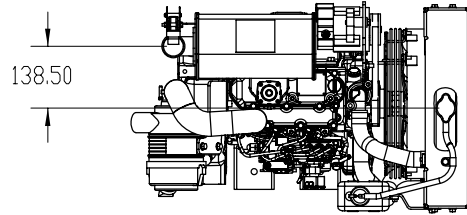
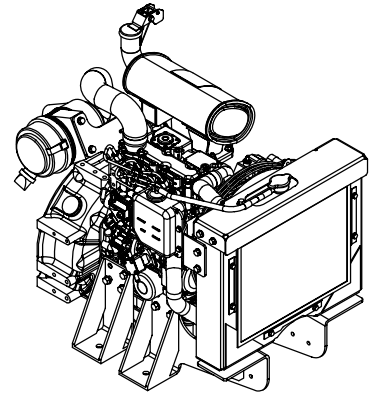


8 7 6 5 4 3 2 1



PROPRIETARY AND CONFIDENTIAL
 THE INFORMATION CONTAINED IN THIS
 DRAWING IS THE SOLE PROPERTY OF
 YANMAR AMERICA CORP. ANY
 REPRODUCTION IN PART OR AS A WHOLE
 WITHOUT THE WRITTEN PERMISSION OF
 YANMAR AMERICA CORP IS
 PROHIBITED.

		UNLESS OTHERWISE SPECIFIED:		NAME	DATE	YANMAR CO., LTD. YANMAR AMERICA CORP.	
		DIMENSIONS ARE IN INCHES		DRAWN	KAB	11-12-08	TITLE:
		TOLERANCES:		CHECKED			3TNM68-GGE POWERPACK
		FRACTIONAL ±		ENG APPR.			SIZE DWG. NO.
		ANGULAR: MACH ± BEND		MFG APPR.			B
		TWO PLACE DECIMAL ±		Q.A.			3TNM68-GGE
		THREE PLACE DECIMAL ±		COMMENTS:			REV
		INTERPRET GEOMETRIC TOLERANCING PER:					SCALE: 1:12
		MATERIAL					WEIGHT:
NEXT ASSY	USED ON	FINISH					SHEET 1 OF 1
APPLICATION		DO NOT SCALE DRAWING					

8 7 6 5 4 3 2 1