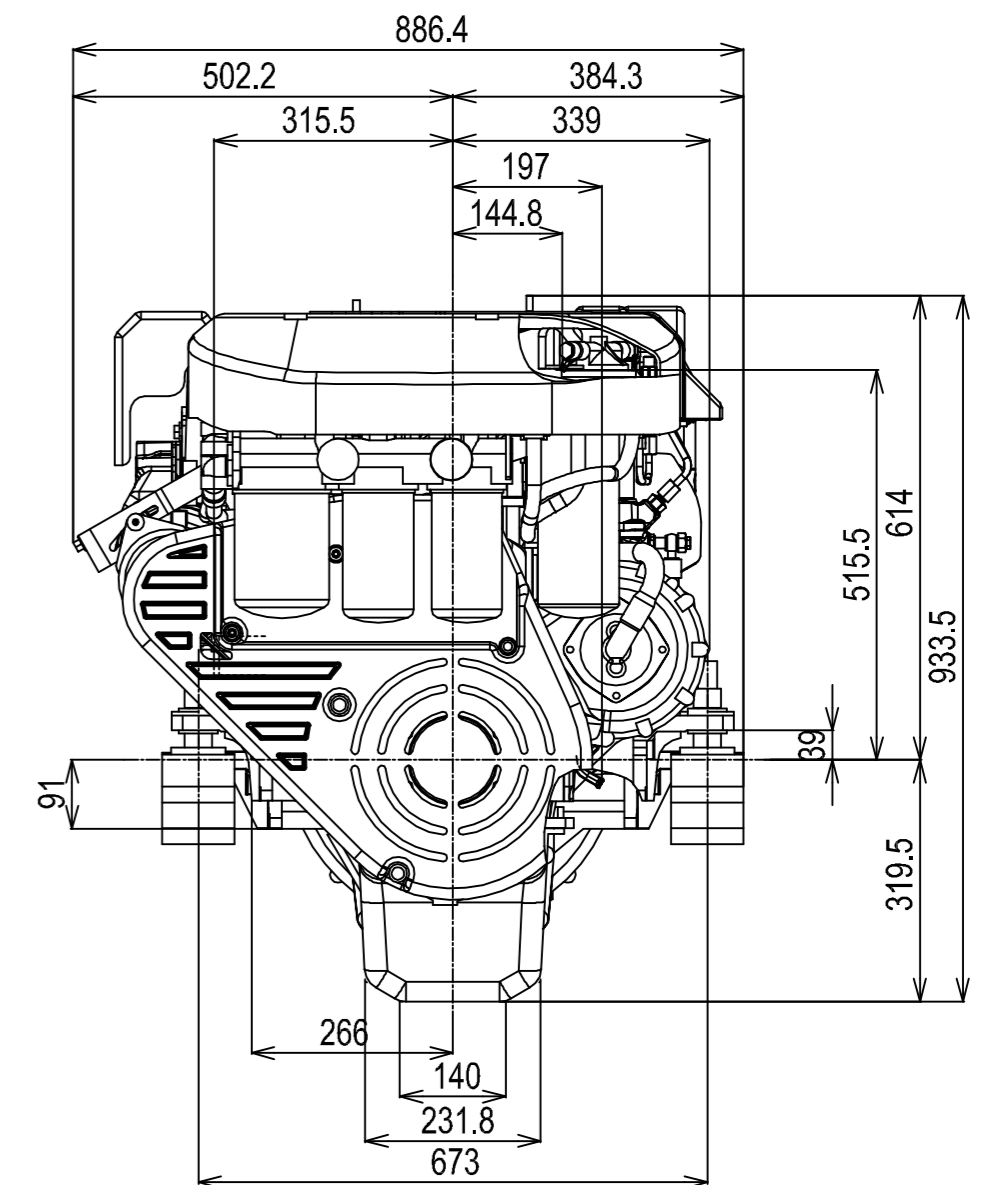
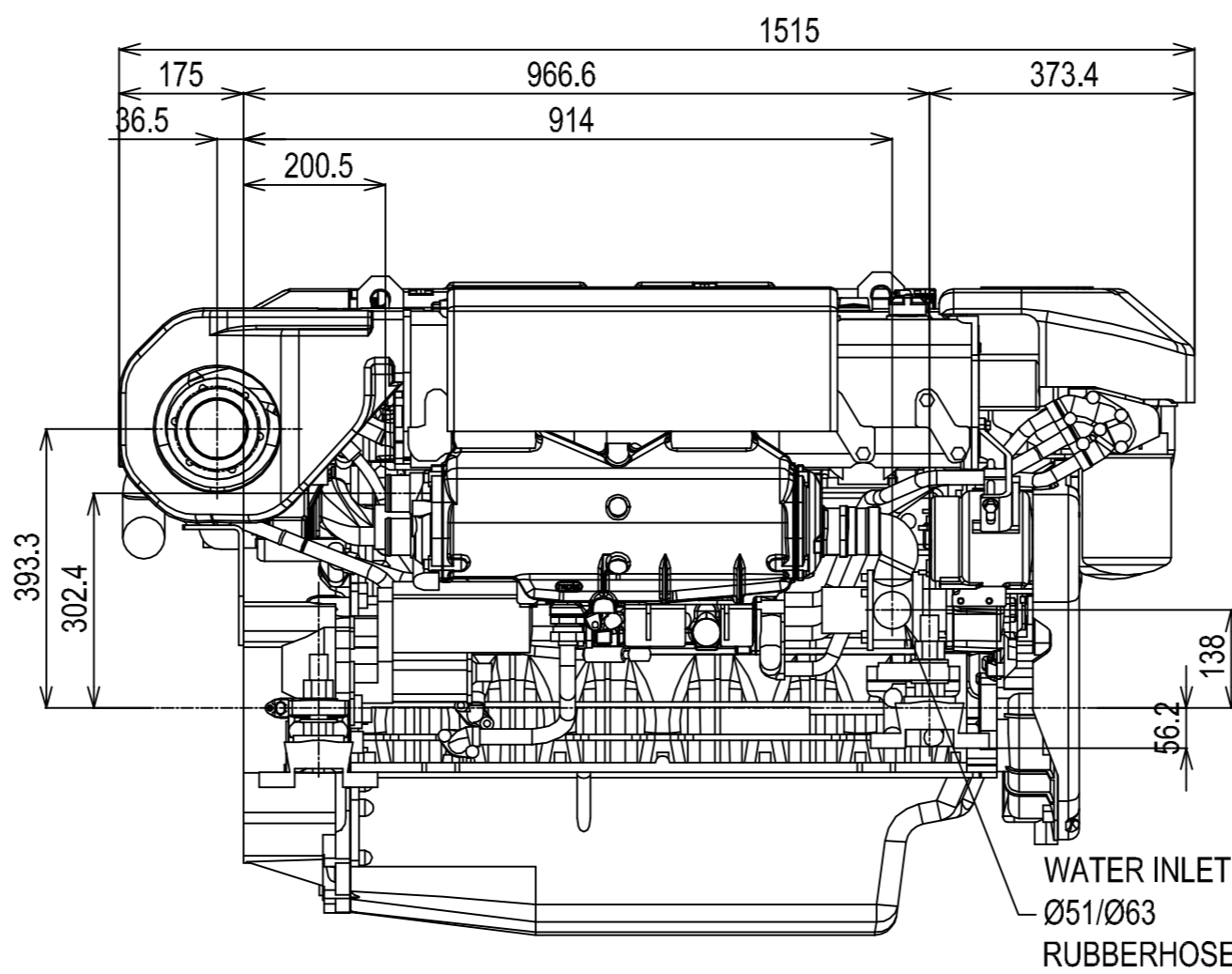
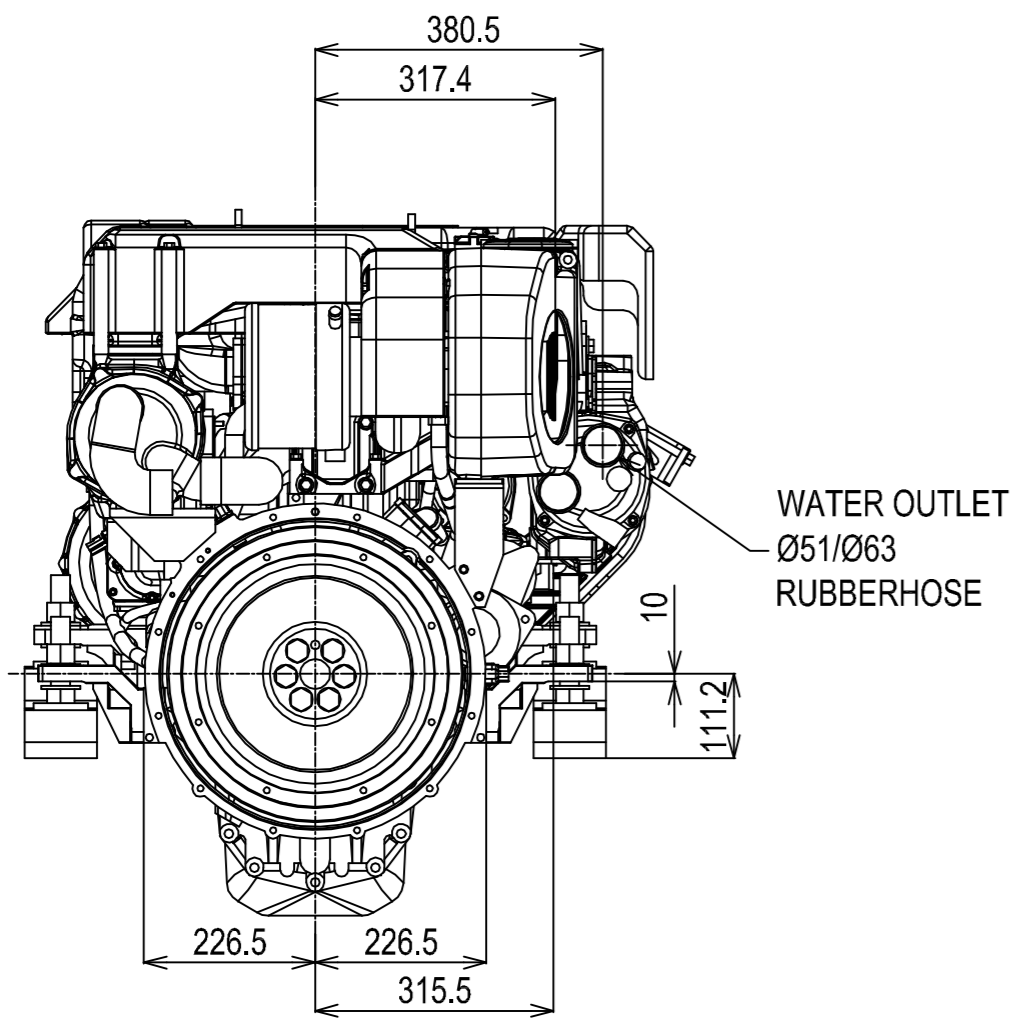
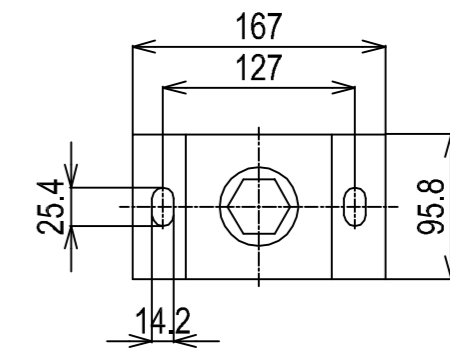
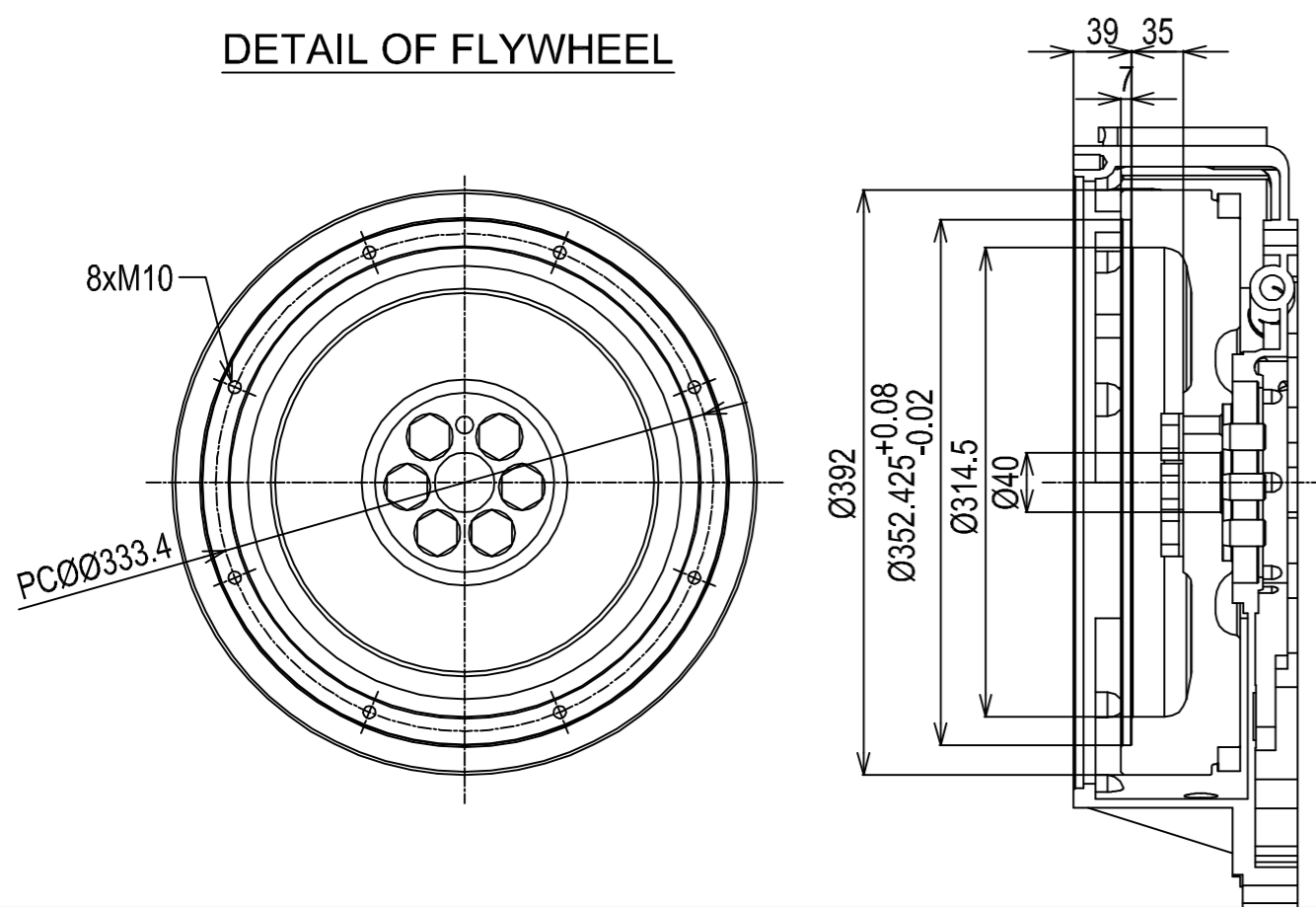


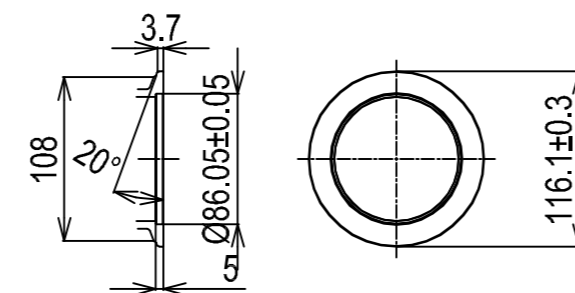
DETAIL OF MOUNTING BLOCK



DETAIL OF FLYWHEEL



DETAIL OF EXHAUST OUTLET



NOTE:

1. DWG. SHOWS MOUNTING BLOCKS AT ORIGINAL HEIGHT. ENGINE WEIGHT WILL COMPRESS BLOCKS BY 4MM (APPROX).
2. MOUNTING BLOCKS ARE EQUIPPED FOR STANDARD ACCESSORY.
3. ● SHOWS THE CENTER OF GRAVITY.
4. FOR ADDITIONAL INSTALLATION INFORMATION AND SPECIFICATIONS PLEASE REFER TO THE YANMAR ENGINE INSTALLATION MANUAL

Series: CX	Engine: 6CX530xBOBTAIL	Release: R2008-01
Scale: 1:10	Date: 01-11-08	Dimensions: mm

