

MARINE DIESEL ENGINES



4JHYE
25.7kW(35mhp)

The Low-Line Answer to Smooth, Fuel-Saving Fishing

Direct Injection & Turbo Charger

Yanmar's advanced technologies have now produced a 78mm cylinder, direct injection engine. On top of that, fuel costs are hugely reduced by the high combustion efficiency. Save 15–20% more fuel than with the pre-combustion chamber models of the past!

Low Profile

Computer analysis has been used to achieve an extraordinarily low line profile. Suitability for installation in compact engine rooms gives new flexibility in boat design.

New-type Clutch

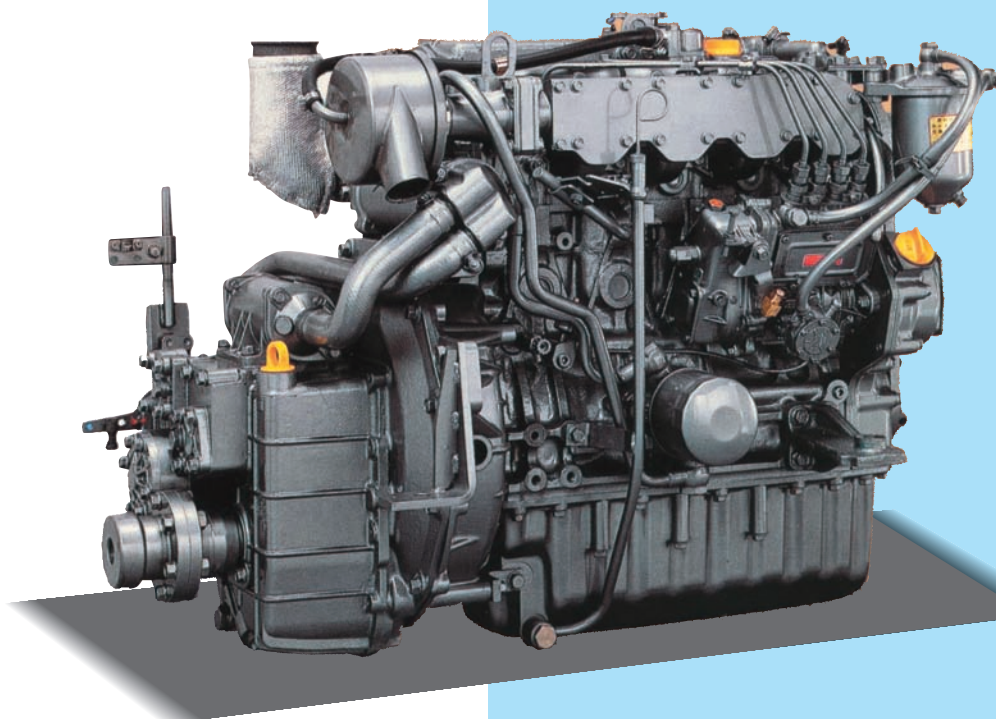
The new high performance YX Series clutch gives smooth and quiet changing between forward, neutral and reverse. The fish won't escape during gear changes, the response is immediate and there is virtually no shock whatsoever.

Trolling Devices as Standard

The propeller can be adjusted to low speeds without altering the speed of the engine, making precise navigation or fixed point sailing easy. Also low fear of wear or overheating during long trolling operation.

Easy Checks and Maintenance

The lubrication oil and fuel filters, fuel caps, dipstick, drain ports and fuel feed pump are all located on the operation side for simple checks and maintenance. And since there is no corrodable zinc, there is no need for troublesome replacements.

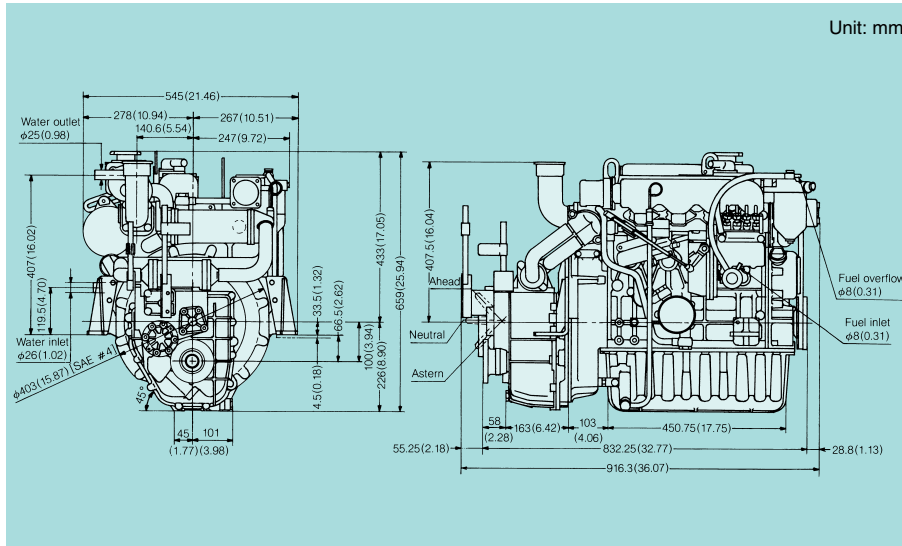


Photograph may show optional equipment.

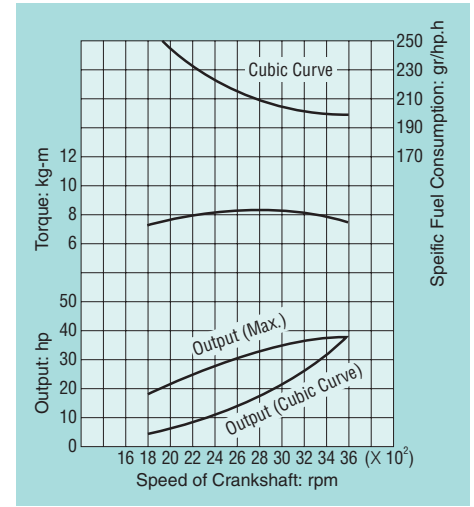
SPECIFICATIONS

Model		4JHYE		
Type		4-cycle, vertical, natural aspirated diesel engine		
Number of cylinders		4		
Bore x stroke		mm(in) 78 x 86(3.07 x 3.39)		
Displacement		lit. (cu.in) 1.644(100.3)		
Rated output kW(hp)/rpm	M	25.7(35)/3400		
	L	29.4(38)/3600		
Direction of rotation	Crank shaft	Counterclockwise viewed from stern		
	Prop. shaft	Clockwise viewed from stern		
Combustion system		Direct injection		
Cooling system		Fresh water cooling with centrifugal pumps		
Lubricating system		Forced lubrication with trochoid pump		
Starting system		Electric		
Marine gear	Model	YX-10		
	Type	Hydraulic multi-disk clutch, wet type		
	Reduction ratio (forward)	2.54	3.13	3.50
	Propeller shaft speed	rpm 1341	1188	971
	Lubrication system	Forced lubrication with gear pump		
Dry weight		kg(lbs) 220(485)		

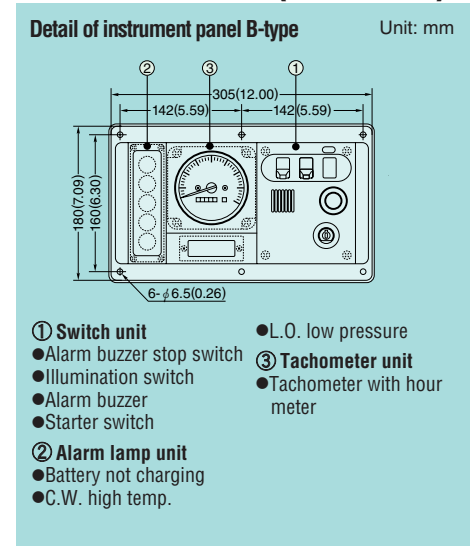
DIMENSIONS



PERFORMANCE CURVES



INSTRUMENT PANEL CONTAINS FOLLOWING ITEMS (STANDARD)



ACCESSORIES

Item	Name of accessories	Remark
Fuel oil	Fuel oil filter	●
	Water separator	○
	Fuel oil feed pump	●
	Fuel oil tube with cramp	○
Lubrication oil	Evacuation pump	○
	Lubrication oil pressure switch	●
	Lubrication oil filter	●
Cooling	Sea water pump	●
	Fresh water pump	●
	Heat exchanger	●
	Sub tank for fresh water	○
	Thermostat (for fresh water)	●
	Kingston cock with C.W. hose & strainer	○
	Sea water filter	△ S-32
Bilge	Bilge pump with hose & strainer	○ Electric type
Air intake & Exhaust	Intake silencer	○
	Exhaust manifold (water cooled)	●
	Exhaust flexible joint	△
	Mix. elbow	▲
	Exhaust silencer	△
Exhaust pipe	○	

●: Standard (On engine) ○: Standard (In pack) △: Optional (On engine) ▲: Optional (In pack)

Item	Name of accessories	Remark
Air intake & Exhaust	Breather pipe	○
	Air heater	▲
Starting	Electric starting	● 12V-1.8kW
	Alternator	● 12V-35A
Instrument panel	Instrument panel B-type	○
	Battery switch	○
	Extension wire	○ 4m
Control device	Remote control head	○ 2 handle
	Push-pull cable	○ 4m
	Stop wire	● with engine
	Motor stop assembly	△ 4m or 7m
Installation	Half coupling (Rough bore type)	○
	Mounting plate & shim	○
	Foundation bolt	○
Others	Tool	○
	Special tool	△
	Spare parts A	○
	Spare parts B (for limited market)	△
	Operation manual	○
	Packing kit	△

Note: All data subject to alteration without notice.

YANMAR CO., LTD.

1-32, Chayamachi, Kita-ku, Osaka 530-8311 JAPAN
 Telephone: 06-6489-8063 Facsimile: 06-6489-1082
<http://www.yanmar.co.jp>